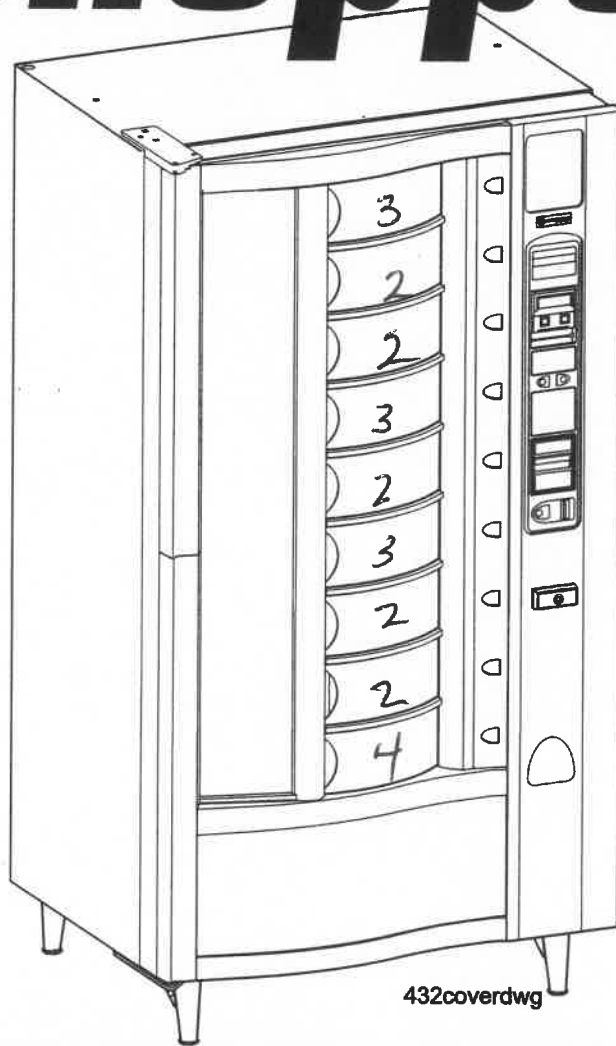


4320008

Model 432

Shopper



1 = 6 Dividers
2 = 5 "
3 = 10 "
4 = 15 "
5 = 20 "

432coverdwg

Parts Manual

CRANE

MERCHANDISING SYSTEMS™ A Crane Co. Company
CMS PARTS & SUPPORT

12955 Enterprise Way
Bridgeton, Missouri 63044-1200
(800) 621-7278
www.CraneMS.com

Copyright© 05-04



4320008

This machine has been engineered to our own rigid safety and performance requirements and manufactured in accordance with the safety standards of Underwriters Laboratories (UL) and the Canadian Standards Association (CSA).

It has been designed to comply with the National Automatic Merchandising Association (NAMA) "Standard for the Sanitary Design and Construction of Food and Beverage Vending Machines".

To maintain this degree of safety and to continue to achieve the level of performance built into this machine, it is important that installation and maintenance be performed so as to not alter the original construction or wiring and that replacement parts are as specified in this

Parts Manual. Your investment in this equipment will be protected by using the **Operator's Guide** and this **Parts Manual** in your operation, service and maintenance work. By following prescribed procedures, machine performance and safety will be preserved.

CRANE MERCHANDISING SYSTEMS PARTS & SUPPORT:

PARTS: 1-800-621-7278

SERVICE: 1-800-628-8363

www.CraneMS.com

For faster service, please have your account number ready before calling.

List of Figures

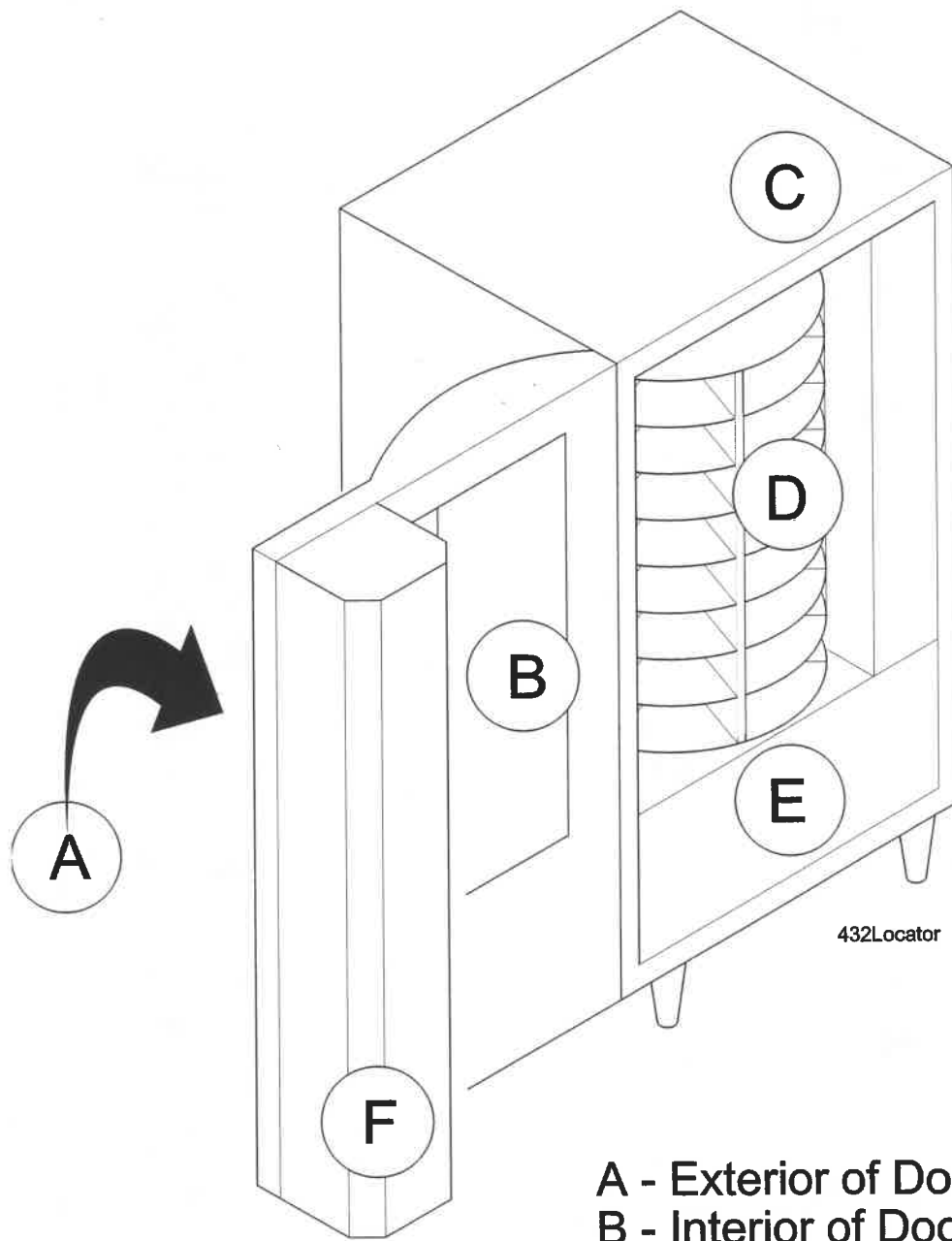
Section A: Exterior of Door	1
FIGURE 1: 432 Door Trim	2
FIGURE 2: Door Hinge Assemblies	4
Section B: Interior of Door	6
FIGURE 3: Door Glass and Misc. Interior Door Parts	6
FIGURE 4: Light Assembly	8
FIGURE 5: Lamp Assembly - POP	10
FIGURE 6: Main Controller & Access Panel Stop	12
FIGURE 7: Manual Vend Guide Assembly-Top	14
FIGURE 8: Manual Vend Guide Assembly-middle	16
FIGURE 9: Vend Guide Assembly-bottom (Manual And Auto)	18
FIGURE 10: Power Vend Guide Assembly-top	20
FIGURE 11: Power Vend Guide Assembly-middle	22
FIGURE 12: Door Switch Assembly	24
FIGURE 13: Interior Door - Miscellaneous Parts	26
FIGURE 14: Lock Bar Assembly	28
FIGURE 15: Buss Bar And Vend Door Lock	30
Section C: Cabinet	32
FIGURE 16: Leg Assemblies & Air Inlet/Outlet Screens	32
FIGURE 17: Base Plate Accessory	34
Section D: Turret	36
FIGURE 18: Turret	36
FIGURE 19: Turret - Top Parts	38
FIGURE 20: Turret - Bottom Parts	40
FIGURE 21: Motor Drive Assembly	42
FIGURE 22: Stop Pin Assembly	44
Section E: Refrigeration	46
FIGURE 23: Refrigeration Unit Assembly	46
FIGURE 24: Refrigeration Unit Components	48
FIGURE 25: Refrigeration Unit - Base and Condenser Fan	50
FIGURE 26: Evaporator Motor Assembly	52
FIGURE 27: Refrigeration Air Ducts	54
Section F: Monetary	56
FIGURE 28: Monetary Panel	56
FIGURE 29: Interior Monetary Panel	58
FIGURE 30: Upper Monetary - Exterior	60
FIGURE 31: Exterior Monetary Panel	62
FIGURE 32: Interior Monetary Latch Arm Assembly	64
FIGURE 33: Coin box assy	66
FIGURE 34: Monetary Options & Interior monetary Panel	68
Section G: Miscellaneous	70

FIGURE 35: Power Panel Assembly - Domestic (115V)	70
FIGURE 36: Power Panel Assembly - International (230V)	72
FIGURE 37: Power Panel Assembly - Rear - Domestic - (115V)	74
FIGURE 38: Power Panel Assembly - Rear - International - (230V)	76
FIGURE 39: Shopper Wiring Diagram - Domestic - (115V)	78
FIGURE 40: Shopper Wiring Diagram - International - (230V)	79
FIGURE 41: Harness Diagram - Power Panel	80

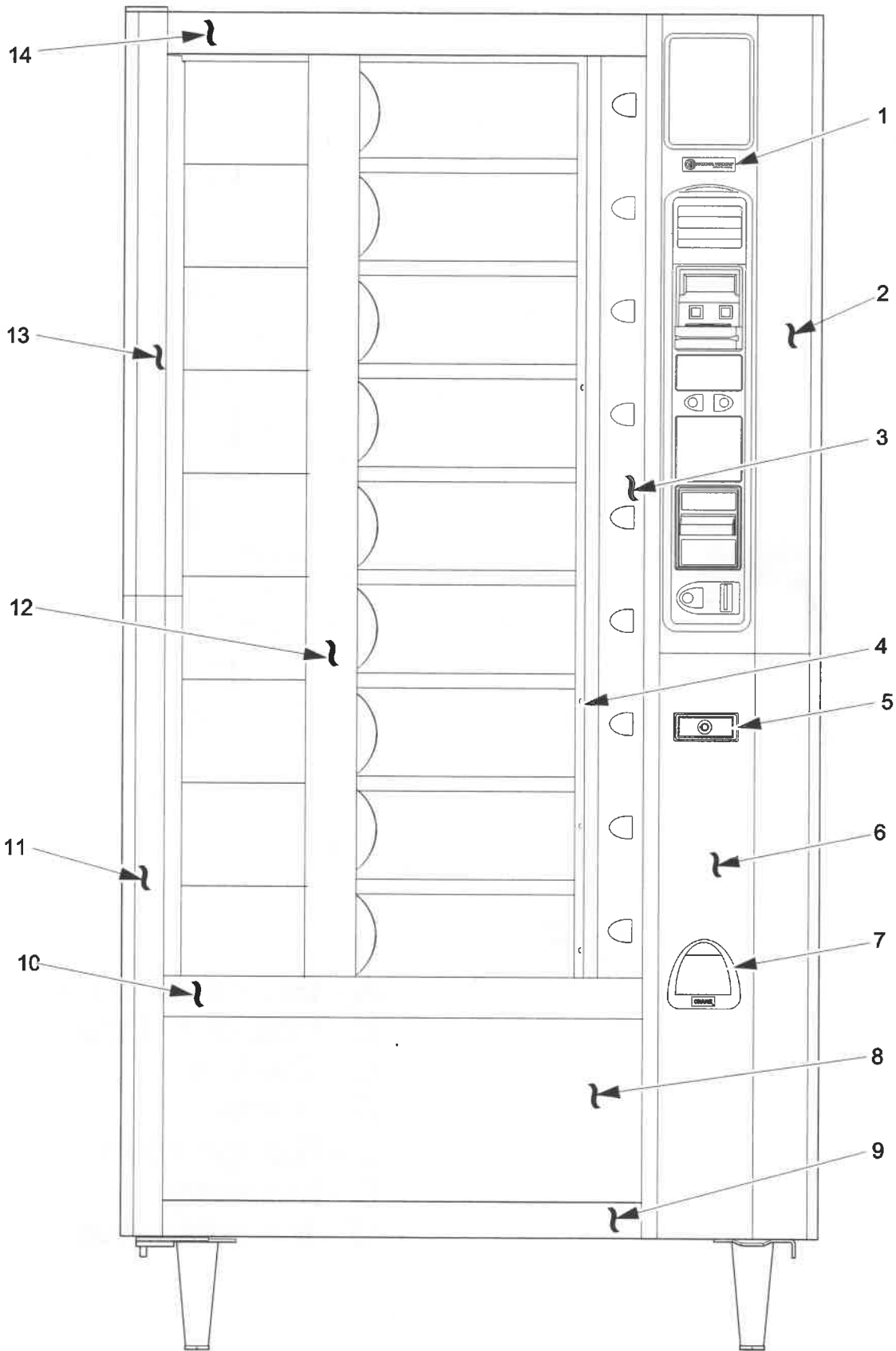
List of Tables

Section A: Exterior of Door	1
TABLE 1: 432 Door Trim	3
TABLE 1A: Trim Hardware	3
TABLE 2: Door Hinge Assemblies	5
Section B: Interior of Door	6
TABLE 3: Door Glass and Misc. Interior Door Parts	7
TABLE 4: Light Assembly	9
TABLE 5: Lamp Assembly - POP	11
TABLE 6: Main Controller & Access Panel Stop	13
TABLE 7: Manual Vend Guide Assembly-Top	15
TABLE 8: Manual Vend Guide Assembly-middle	17
TABLE 9: Vend Guide Assembly-bottom (Manual And Auto)	19
TABLE 10: Power Vend Guide Assembly-top	21
TABLE 11: Power Vend Guide Assembly-middle	23
TABLE 12: Door Switch Assembly	25
TABLE 13: Interior Door - Miscellaneous Parts	27
TABLE 14: Lock Bar Assembly	29
TABLE 15: Buss Bar And Vend Door Lock	31
Section C: Cabinet	32
TABLE 16: Leg Assemblies & Air Inlet/Outlet Screens	33
TABLE 17: Base Plate Accessory	35
Section D: Turret	36
TABLE 18: Turret	37
TABLE 19: Turret - Top Parts	39
TABLE 20: Turret - Bottom Parts	41
TABLE 21: Motor Drive Assembly	43
TABLE 22: Stop Pin Assembly	45
Section E: Refrigeration	46
TABLE 23: Refrigeration Unit Assembly	47
TABLE 24: Refrigeration Unit Components	49
TABLE 25: Refrigeration Unit - Base and Condenser Fan	51
TABLE 26: Evaporator Motor Assembly	53
TABLE 27: Refrigeration Air Ducts	55
Section F: Monetary	56
TABLE 28: Monetary Panel	57
TABLE 29: Interior Monetary Panel	59
TABLE 30: Upper Monetary - Exterior	61
TABLE 31: Exterior Monetary Panel	63
TABLE 32: Interior Monetary Latch Arm Assembly	65
TABLE 33: Coin Box Assembly	67
TABLE 34: Monetary Options & Interior Monetary Panel	69

Section G: Miscellaneous	70
TABLE 35: Power Panel Assembly - Domestic (115V)	71
TABLE 36: Power Panel Assembly - International (230V)	73
TABLE 37: Power Panel Assembly - Rear - Domestic (115V)	75
TABLE 38: Power Panel Assembly - Rear - International (230V)	77
TABLE 39: 432 Harness List	81
TABLE 40: Bag Assembly: 15 - B4320000 (115V)	82
TABLE 41: Bag Assembly: 15 - B4320001 (230V)	82



- A - Exterior of Door
- B - Interior of Door
- C - Cabinet
- D - Turret
- E - Refrigeration
- F - Monetary
- G - Miscellaneous



432p0008

FIGURE 1: 432 DOOR TRIM

TABLE 1: 432 DOOR TRIM

INDEX	PART NUMBER	DESCRIPTION	QTY
1	4322101	PLATE - NV LOGO	1
2	4325037	PANEL - TRIM - TOP ACCESS	1
3	4325013	PANEL ASSY- OUTER - MONETARY	1
4	4325088	TRIM - SIDE - ACCESS PANEL - BLACK	1
5	4322113	LOCK ASSEMBLY - "T"	1
6	4325038	PANEL - TRIM - BOTTOM - ACCESS	1
7	4325064	BEZEL - COIN RETURN CUP	1
8	4322241	POP-LARGE-GRAPHICS	1
9	4322070	TRIM - HORIZONTAL - LOWER S - CURVE	1
10	4322071	TRIM - HORIZONTAL - MID S - CURVE	1
11	4322087	TRIM - LEFT VERTICAL - LOWER	1
12	4322114	TRIM - POST - CENTER - BLACK	1
13	4322067	TRIM - LEFT VERTICAL - UPPER	1
14	4322074	TRIM - HORIZONTAL - UPPER - CURVE	1

TABLE 1A: TRIM HARDWARE

TRIM	DESCRIPTION	RETAINER	SCREW	TAPE
4322074	TRIM - HORIZONTAL - UPPER - CURVE	4552371(4)	1451097(4)	--
4322067	TRIM - LEFT VERTICAL - UPPER	4552371(12)	--	--
4322087	TRIM - LEFT VERTICAL - LOWER	4552371(9)	474717 1(5)	--
4322071	TRIM - HORIZONTAL - MID S - CURVE	4552371(6)	4747171(4)	--
4322070	TRIM - HORIZONTAL - LOWER S - CURVE	--	4747171(18)	--
4325037	PANEL - TRIM - TOP ACCESS	--	4747171(12)	--
4325038	PANEL - TRIM - BOTTOM - ACCESS	--	4747171(19)	--
4322114	TRIM - POST - CENTER - BLACK	--	4312215 (4)	4322102 (2)

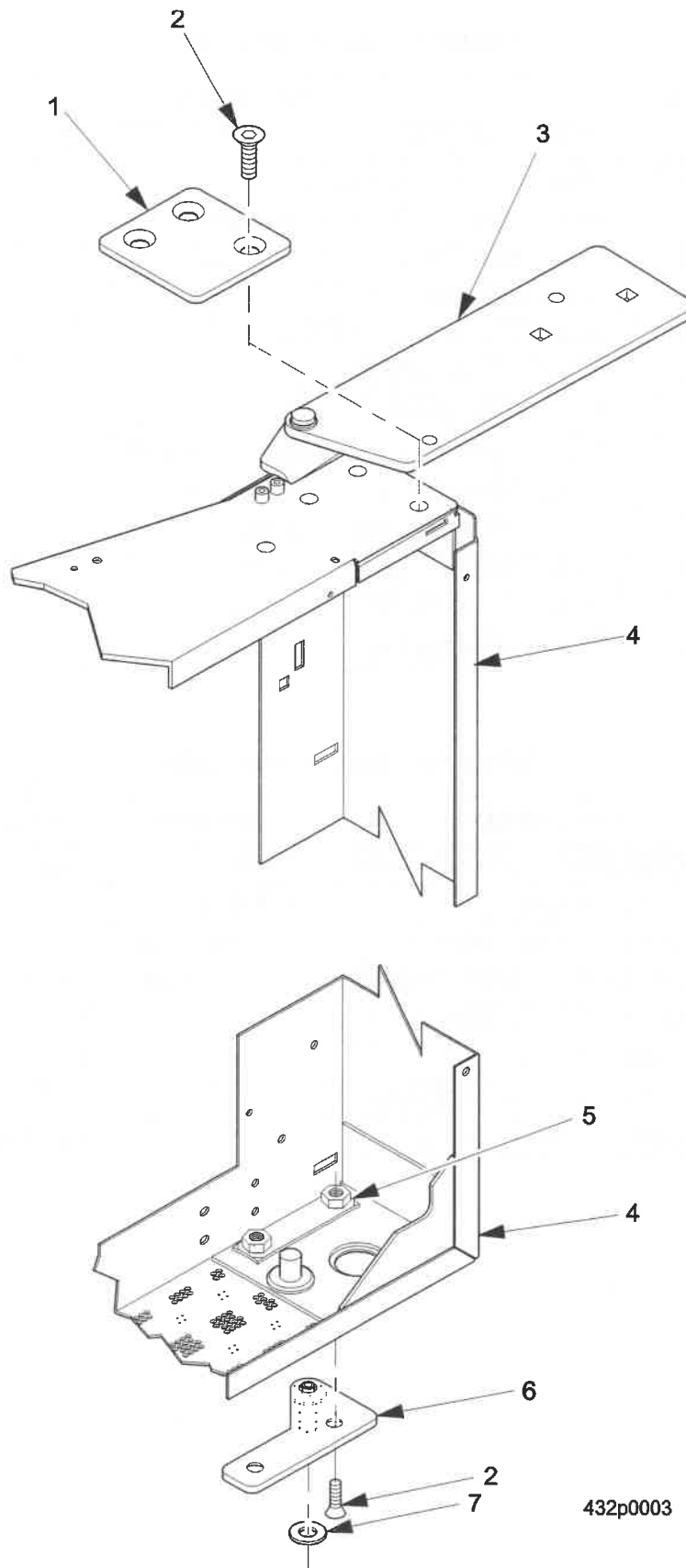
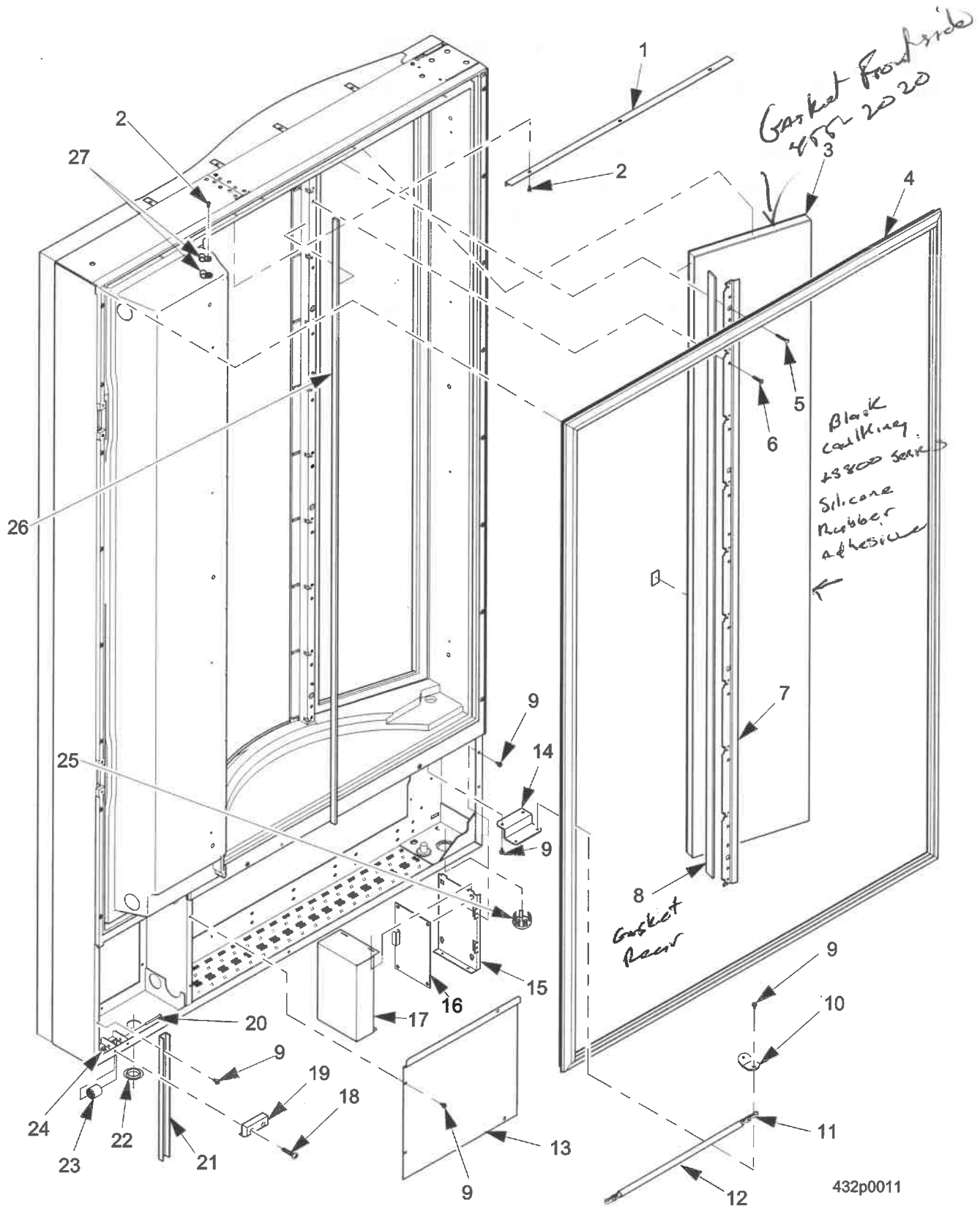


FIGURE 2: DOOR HINGE ASSEMBLIES

TABLE 2: DOOR HINGE ASSEMBLIES

INDEX	PART NUMBER	DESCRIPTION	QTY
1	4322010	PLATE - CLAMP - HINGE - TOP	1
2	6232036	SCREW - 5/16 - 18X.75 FLAT HEAD SOCKET	5
3	4322007	HINGE ASSEMBLY - DOOR - TOP	1
4	4322145	WELD ASSEMBLY - DOOR FRAME - N.V. BLACK.	1
5	6232028	PLATE ASSEMBLY - HINGE MOUNTING	1
6	4322005	HINGE & PIN ASSEMBLY - DOOR BOTTOM	1
7	4242145	BEARING-THRUST LOWER HINGE	1



432p0011

FIGURE 3: DOOR GLASS AND MISC. INTERIOR DOOR PARTS

TABLE 3: DOOR GLASS AND MISC. INTERIOR DOOR PARTS

INDEX	PART NUMBER	DESCRIPTION	QTY
--	4322081	FOAMED DOOR ASSEMBLY - BLACK/BLACK	--
1	4322059	RETAINER - HARNESS	1
2	4747171	SCREW - #6-19 X .38 PHIL.PHS	50
3	4322003	GLASS ASSEMBLY - INSULATED - 24 VAC	1
4	4322002	GASKET - DOOR - BLACK	1
5	4312215	SCREW - #8-18 X 1 1/4 RHP TAPP	4
6	1572242	SCREW - #8-18 X.75 PLASTITE HH	60
7	4322137	REINF. - POST - CENTER - BLACK	1
8	4727069	GASKET-.19X.38	50.65
9	1451097	SCREW - #8-32X.31 HEX HD.TF-BL	37
10	4301285	BRACKET - DOOR CHAIN	1
11	4552122	CHAIN - SASH - 13.8 LONG	1
12	4552121	COVER - CHAIN	1
13	4322034	BAFFLE - INLET - AIR	1
14	4322152	BRACKET - CHAIN - DOOR	1
15	4322076	BRACKET - MOUNT - 1/O BOARD	1
16	4326007	PCB ASSEMBLY - SHOPPER INTERFACE	1
17	4322075	COVER - ELECTRIC - 1/O BOARD	1
18	4312213	SCREW - #8-18 X 1 1/4 RHP TAPPING	2
19	4302191	GLIDE - DOOR	1
20	4322198	PIN - ROLLER	1
21	4321063	CHANNEL - SUPPORT - DOOR	1
22	6231034	PLUG - HOLE	1
23	4322013	ROLLER - SUPPORT - DOOR	1
24	2366055	SPEED CLIP - COMPRESSION RG	3
25	4311096	PLUG - FOAMING HOLE	1
26	4322091	TAPE - SPONGE - .42 X .19	1
27	2221049	WIRE CLAMP - .302 DIA	2

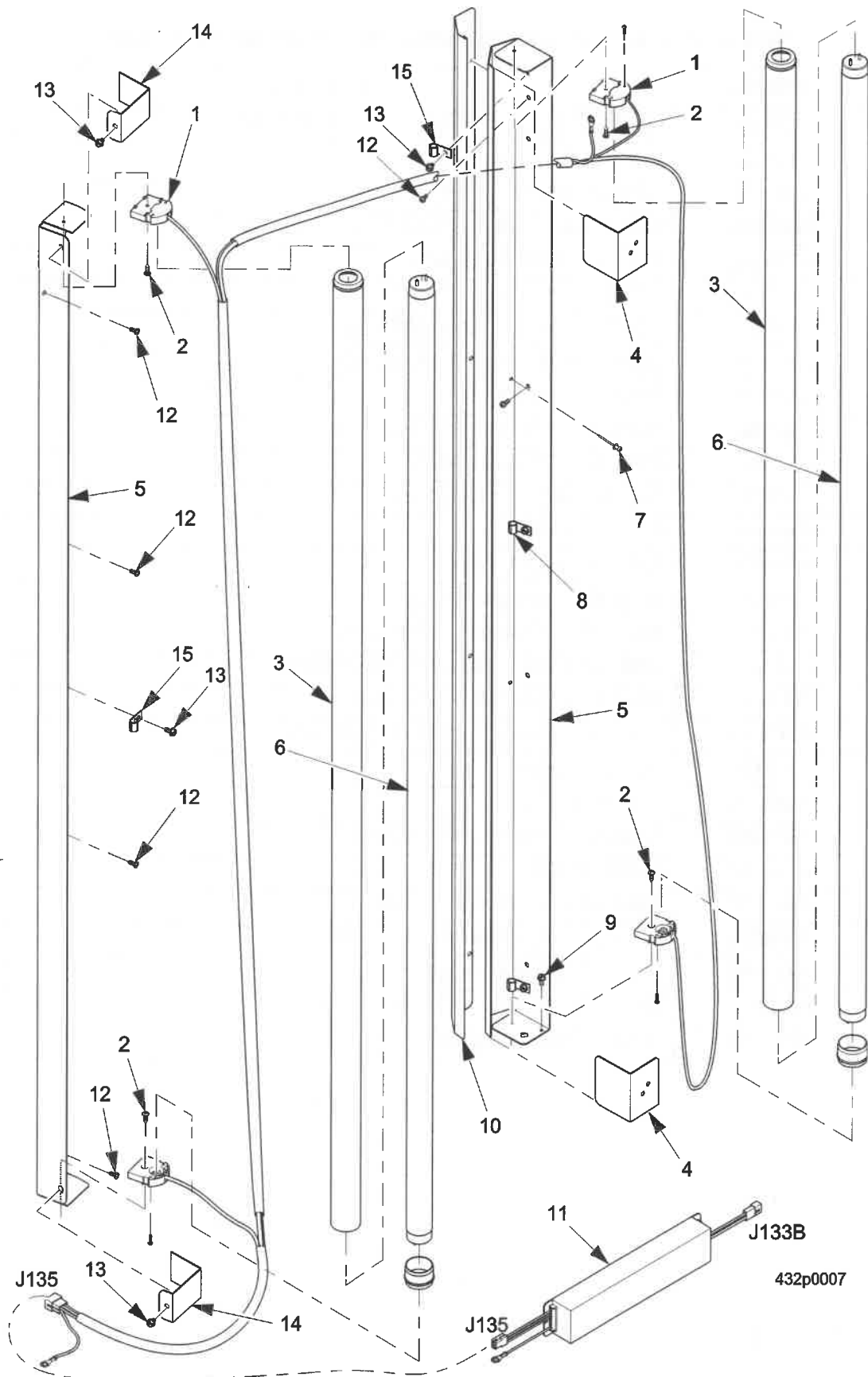


FIGURE 4: LIGHT ASSEMBLY

TABLE 4: LIGHT ASSEMBLY

INDEX	PART NUMBER	DESCRIPTION	QTY
--	4322171	LAMP ASSEMBLY - FLUORESCENT - DOOR - BLACK - (115V)	--
	4322172	LAMP ASSEMBLY - FLUORESCENT - DOOR - BLACK - (230V)	
1	4329008	HARNESS - LAMP TO BALLAST - (115V)	1
	4329014	HARNESS - LAMP TO BALLAST - (230V)	
2	G1472027	SCREW - SHEET METAL - #6 X .44 - (115V)	4
	9900219	SCREW - #4-36 X .437 RH PHILLI PS- (230V)	8
3	4322066	SAFETY LAMP SLEEVE W/END CAPS	2
4	4322107	SHIELD - TERMINAL - EXPORT - LEFT (230V ONLY)	2
5	4322218	BRACKET - SHIELD - LAMP - LEFT - WHITE - (115V)	2
	4322156	BRACKET - SHIELD - LAMP - LEFT - EX - (230V)	1
	4322157	BRACKET - SHIELD - LAMP - RIGHT - EX - (230V)	1
6	4322065	LAMP - FLUORESCENT - 32 WATT - (115V)	2
	4322169	LAMP - FLUORESCENT - 36 WATT - (230V)	
7	4031248	RIVET - POP - .125 DIA X .232	4
8	1452139	RETAINER - HARNESS - (115V)	3
	1452139	RETAINER - HARNESS - (230V)	
9	3157060	SCREW - #8-32 X .31 HEX W/ HD.	2
10	4322232	PANEL - TRIM - LAMP - BLACK	1
11	4329021	BALLAST - ASSEMBLY - ELECTRONIC - (115V)	1
	4329017	BALLAST - MAGNETIC - (230V)	1
12	4747171	SCREW - #6-19 X .38 PHIL.PHS-T/C	8
13	1451097	SCREW-#8-32X.31 HEX HD.TF	5
14	4322106	SHIELD - TERMINAL - EXPORT - RIGHT (230V ONLY)	2
15	2342315	CLIP - WIRE HARNESS	2

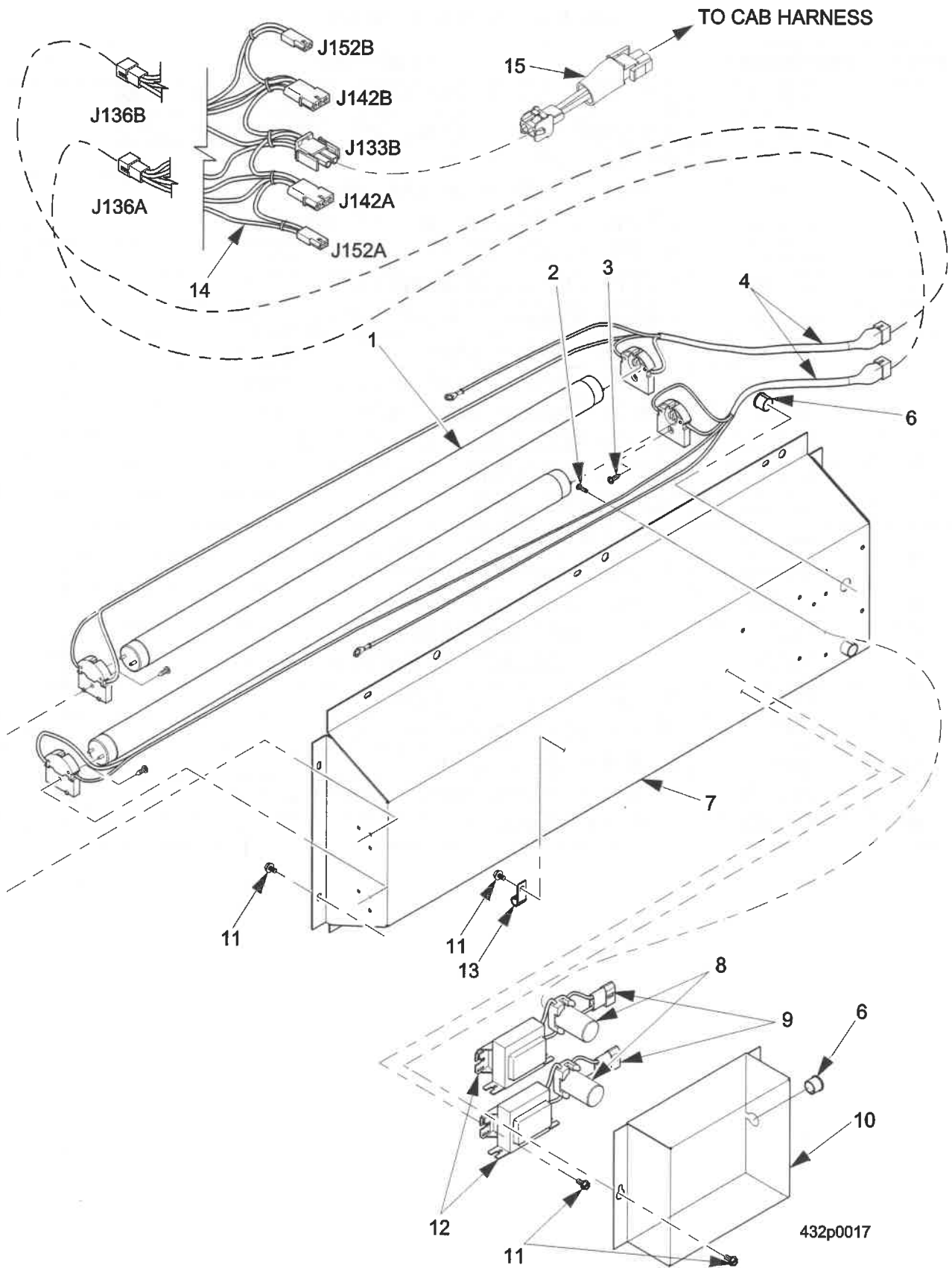
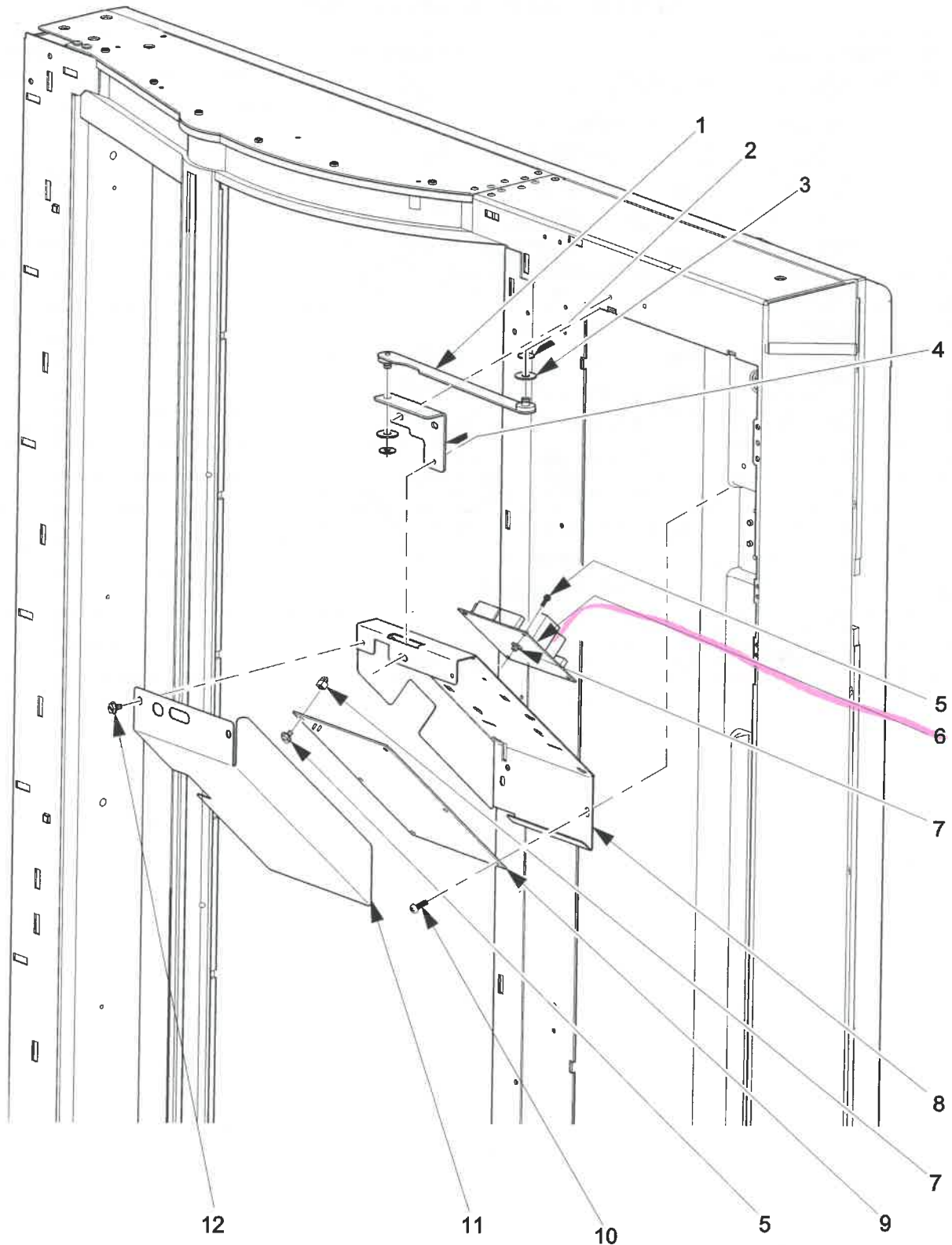


FIGURE 5: LAMP ASSEMBLY - POP

TABLE 5: LAMP ASSEMBLY - POP

INDEX	PART NUMBER	DESCRIPTION	QTY
--	4322072	LAMP ASSEMBLY - P.O.P. - 60HZ (115V)	--
	4322166	LAMP ASSEMBLY - P.O.P. - 50HZ (230V)	
1	6732034	LAMP - FLUORESCENT - 18W	2
2	4271062	SCREW - #4-24 X .375 PH Z-P S.	4
3	G1472027	SCREW - SHEET METAL - #6 X .44	4
4	4329019	HARNESS - POP LAMP	2
5	4329001	HARNESS - LAMP TO POWER PANEL	1
6	3502097	BUSHING #OCB-500	3
7	4322182	PANEL - LAMP - P.O.P. - WHITE	1
8	2222095	STARTER FS-2, FLUORESCENT LAMP	2
9	4319008	STARTER SOCKET ASSEMBLY	2
10	4322179	COVER - BALLAST - P.O.P.	1
11	1451097	SCREW - #8-32X.31 HEX HD.TF - BLACK	16
12	3151058	BALLAST ASSEMBLY - 14/20 WATT - (115V)	2
	6332009	BALLAST ASSEMBLY - 18 WATT - (230V)	
13	2342315	CLIP - WIRE HARNESS	2
14	4329010	HARNESS - POP - BALLAST	1
15	1679005	FLST. LIGHT FILTER-120/230V	1

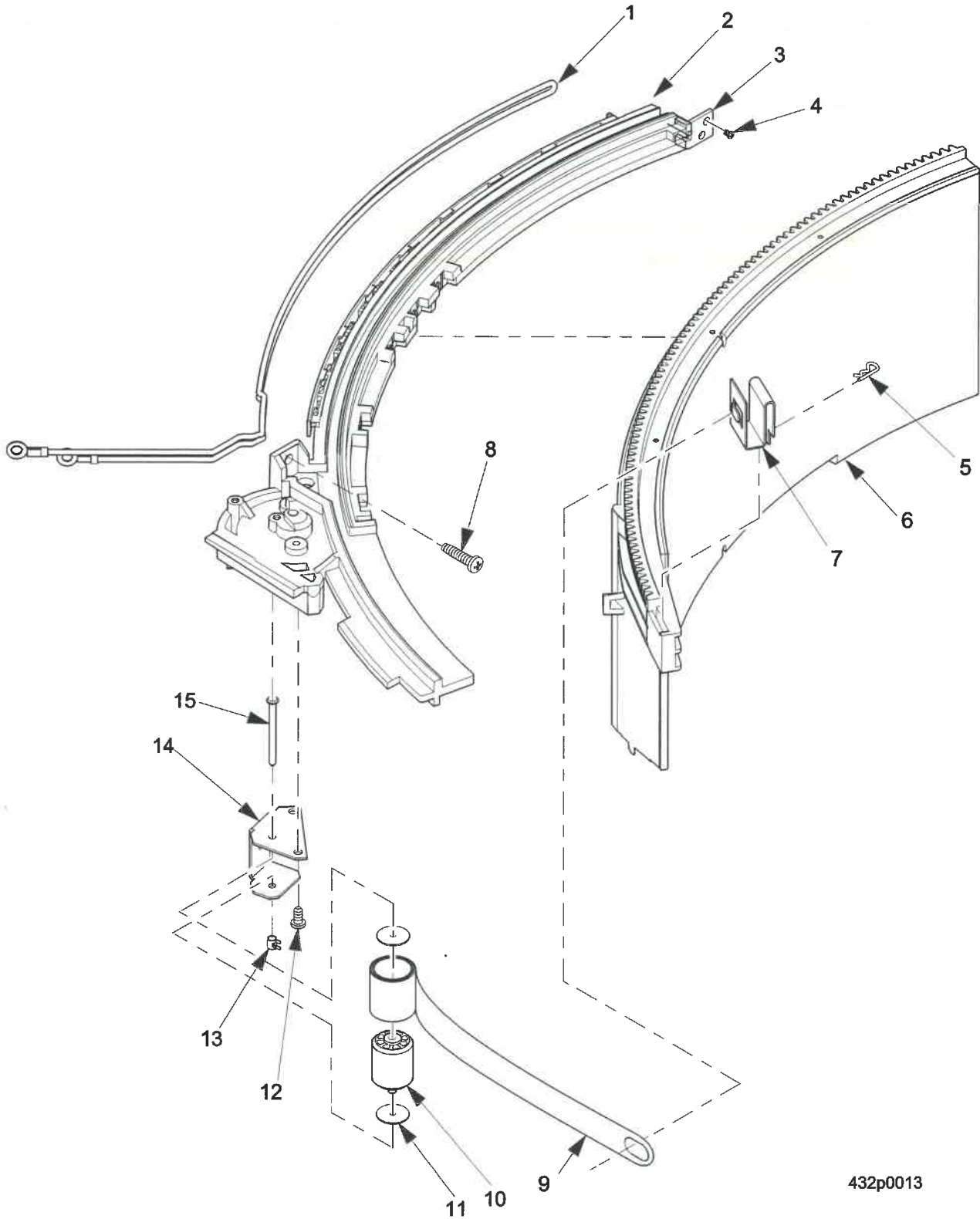


432p0041

FIGURE 6: MAIN CONTROLLER & ACCESS PANEL STOP

TABLE 6: MAIN CONTROLLER & ACCESS PANEL STOP

INDEX	PART NUMBER	DESCRIPTION	QTY
1	4325058	ARM ASSY- PIVOT - ACCESS PANEL	1
2	9900425	RETAINING RING REINF E TYP.250	2
3	6404034	WASHER - .687 O.D. X .265 I.D.	2
4	4325057	BRACKET - PIVOT - ACCESS PANEL	1
5	1471199	SCREW-#8-18 X .62 HEX/WH.	2
6	4326016	PCB ASSY SOLENOID W/O MOTOR	1
	4326015	PCB ASSY SOLENOID W/ MOTOR	
7	4241165	SPACER-LINER-.375LG X.500 DIA	2
8	4325132	HOUSING - MAIN CONTROLLER BOARD	1
9	4326005	MAIN CONTROLLER PCB W/EPROM	1
10	1572242	SCREW #8-18 X .75 PLASTITE H HS	2
11	4325133	COVER MAIN CONTROLLER-BOARD	1
12	1451097	SCREW - #8-32X.31 HEX HD.TF-BL	2



432p0013

FIGURE 7: MANUAL VEND GUIDE ASSEMBLY-TOP

TABLE 7: MANUAL VEND GUIDE ASSEMBLY-TOP

INDEX	PART NUMBER	DESCRIPTION	QTY
--	4322160	GUIDE ASSEMBLY - VEND - TOP - MANUAL	1
--	4322158	GUIDE & HEATER ASSEMBLY - VEND (ITEMS 1-2)	1
1	4326000	WIRE & TERMINAL ASSEMBLY - HEATER DOOR - 24 VAC	1
2	4322051	GUIDE - DOOR - VEND	1
3	4322136	RETAINER - GUIDE	1
4	1472132	SCREW - #6-32 X .25 PHS T/C	2
5	4322214	PIN - HITCH - .047 WIRE	1
6	4322133	WELD ASSEMBLY - VEND DOOR	1
7	4322138	HOLDER - SPRING - RETURN - MANUAL	1
8	1572242	SCREW - #8-18 X.75 PLASTITE HHS	2
--		SPRING & ROLLER ASSEMBLY-DOOR-RET (ITEMS 9-11,13-15)	
9	4322235	SPRING - DOOR	1
10	4322013	ROLLER - SUPPORT - DOOR	1
11	4363031	WASHER - VEND DOOR SPRING ASSEMBLY	2
12	4321168	SCREW - #6-19 X .31 PHIL.PHS.T/C	2
13	2366055	SPEED CLIP - COMPRESSION RG	1
14	4322196	BRACKET - ROLLER - SPRING RETURN	1
15	4322198	PIN - ROLLER	1

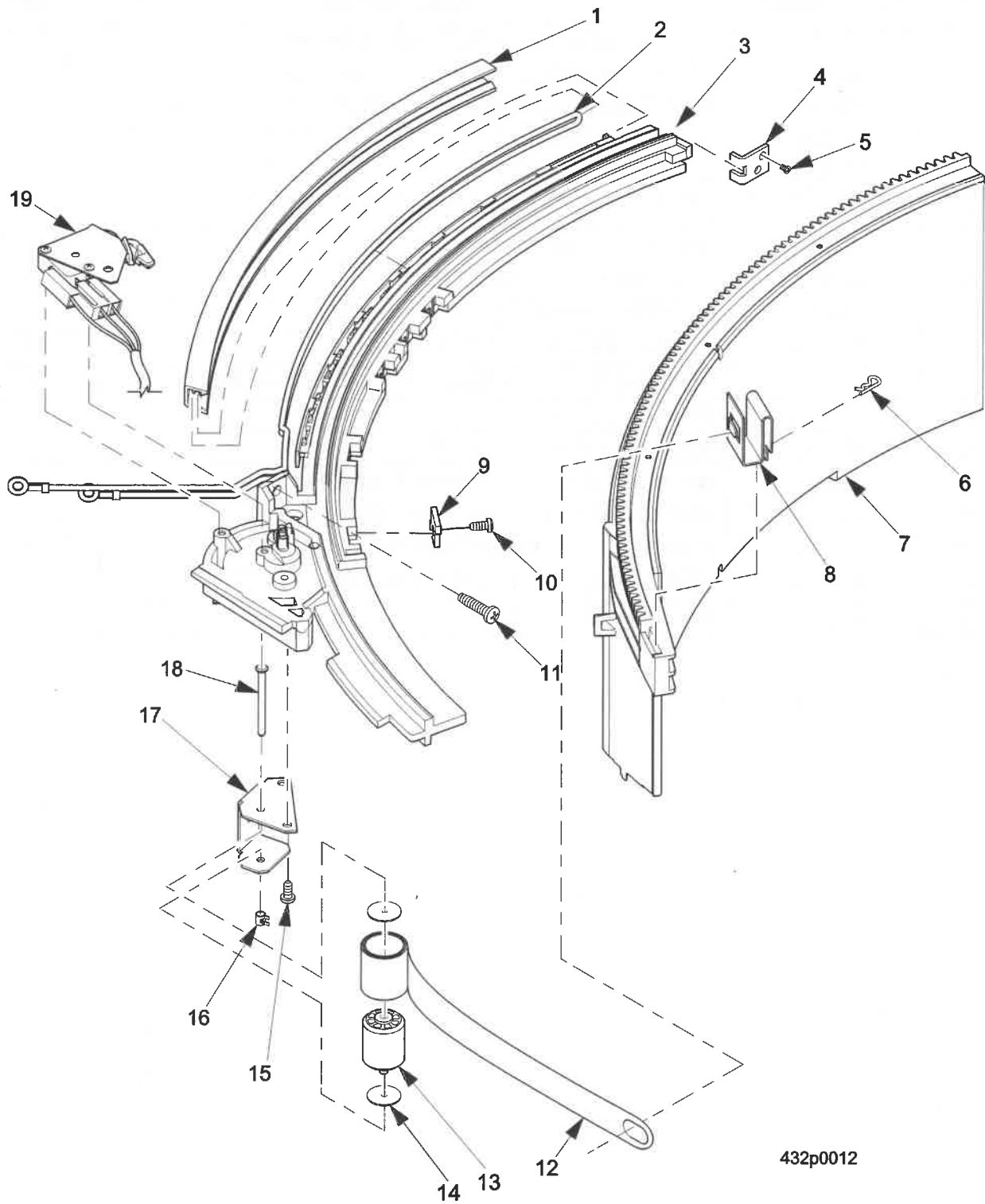


FIGURE 8: MANUAL VEND GUIDE ASSEMBLY-MIDDLE

TABLE 8: MANUAL VEND GUIDE ASSEMBLY-MIDDLE

INDEX	PART NUMBER	DESCRIPTION	QTY
--	4322162	GUIDE ASSEMBLY - VEND - MID - MANUAL	8
1	4322100	COVER - GUIDE - VEND	1
--	4322158	GUIDE & HEATER ASSEMBLY - VEND (ITEMS 2-3)	--
2	4326000	WIRE & TERMINAL ASSEMBLY - HEATER DOOR - 24VAC	1
3	4322051	GUIDE - DOOR - VEND	1
4	4322136	RETAINER - GUIDE	1
5	1472132	SCREW - #6-32 X .25 PHS T/C	2
6	4322214	PIN - HITCH - .047 WIRE	1
7	4322133	WELD ASSEMBLY - VEND DOOR	1
8	4322138	HOLDER - SPRING - RETURN - MANUAL	1
9	4322226	STOP - VEND - DOOR	1
10	4322193	SCREW - #6-19 X .31 TAMPER PROOF TORX P.H.	1
11	1572242	SCREW - #8-18 X.75 PLASTITE HHS	2
--	4322197	SPRING & ROLLER ASSEMBLY - DOOR - RETURN (ITEMS 12-14, 16-18)	--
12	4322235	SPRING - DOOR	1
13	4322013	ROLLER - SUPPORT - DOOR	1
14	4363031	WASHER - VEND DOOR SPRING ASSEMBLY	2
15	4321168	SCREW - #6-19 X .31 PHIL.PHS.T/C	2
16	2366055	SPEED CLIP - COMPRESSION RG	1
17	4322196	BRACKET - ROLLER - SPRING RETURN	1
18	4322198	PIN - ROLLER	1
19	--	SEE FIGURE 12 DOOR SWITCH ASSEMBLY	1

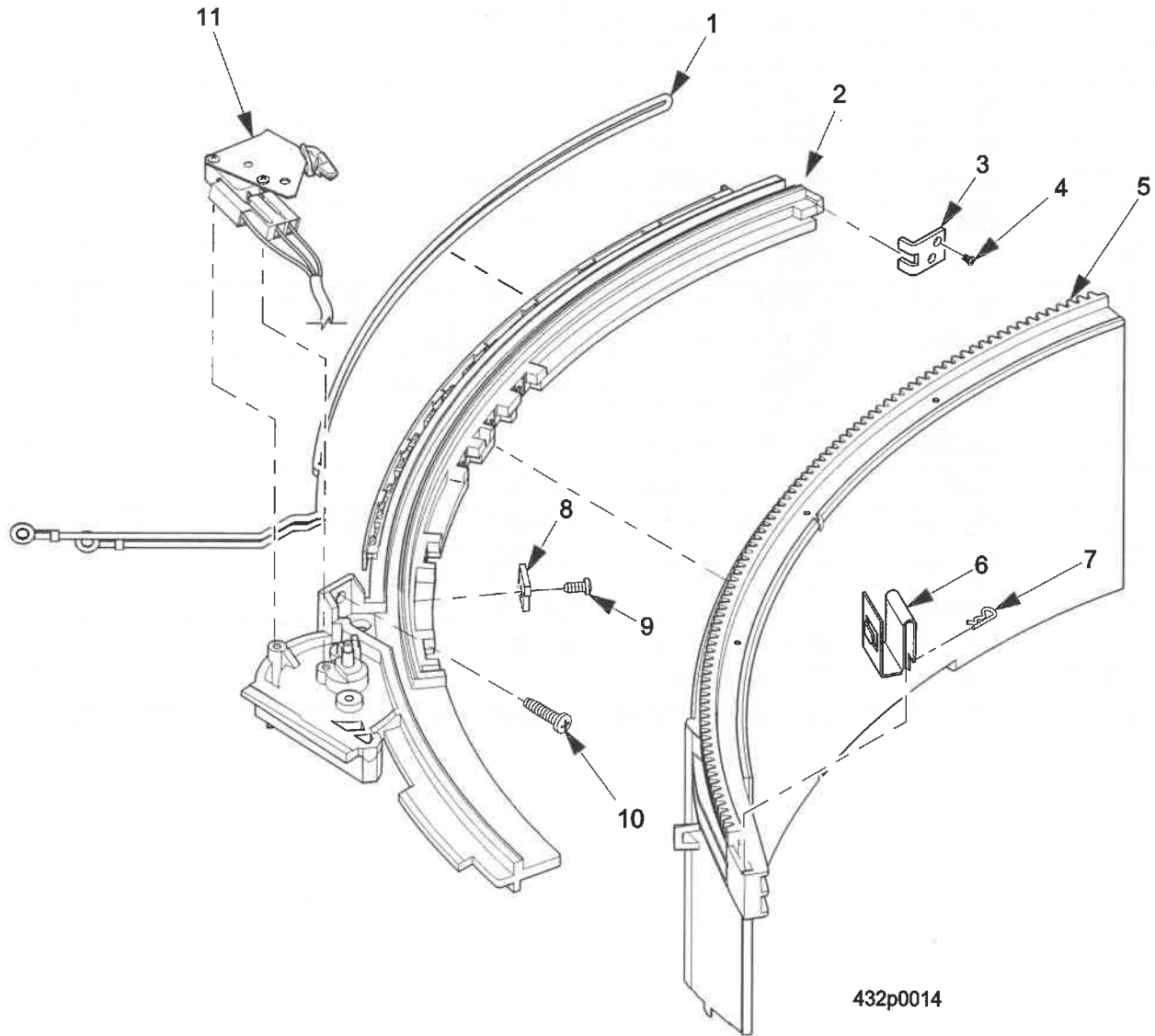


FIGURE 9: VEND GUIDE ASSEMBLY-BOTTOM (MANUAL AND AUTO)

TABLE 9: VEND GUIDE ASSEMBLY-BOTTOM (MANUAL AND AUTO)

INDEX	PART NUMBER	DESCRIPTION	QTY
--	4322164	GUIDE ASSEMBLY - VEND - BOTTOM	--
--	4322158	GUIDE & HEATER ASSEMBLY - VEND (ITEMS 1-2)	1
1	4326000	WIRE & TERMINAL ASSEMBLY - HEATER DR - 24 VAC	1
2	4322051	GUIDE - DOOR - VEND	1
3	4322136	RETAINER - GUIDE	1
4	1472132	SCREW - #6-32 X .25 PHS T/C	2
5	4322133	WELD ASSEMBLY - VEND DOOR	1
6	4322138	HOLDER - SPRING - RETURN - MANUAL (MANUAL DOOR ONLY)	1
7	4322214	PIN - HITCH - .047 WIRE (MANUAL DOOR ONLY)	1
8	4322226	STOP - VEND - DOOR	1
9	4322193	SCREW - #6-19 X .31 TAMPER PROOF TORX P.H.	1
10	1572242	SCREW - #8-18 X.75 PLASTITE HHS	2
11	--	SEE FIGURE 12 DOOR SWITCH ASSEMBLY	1

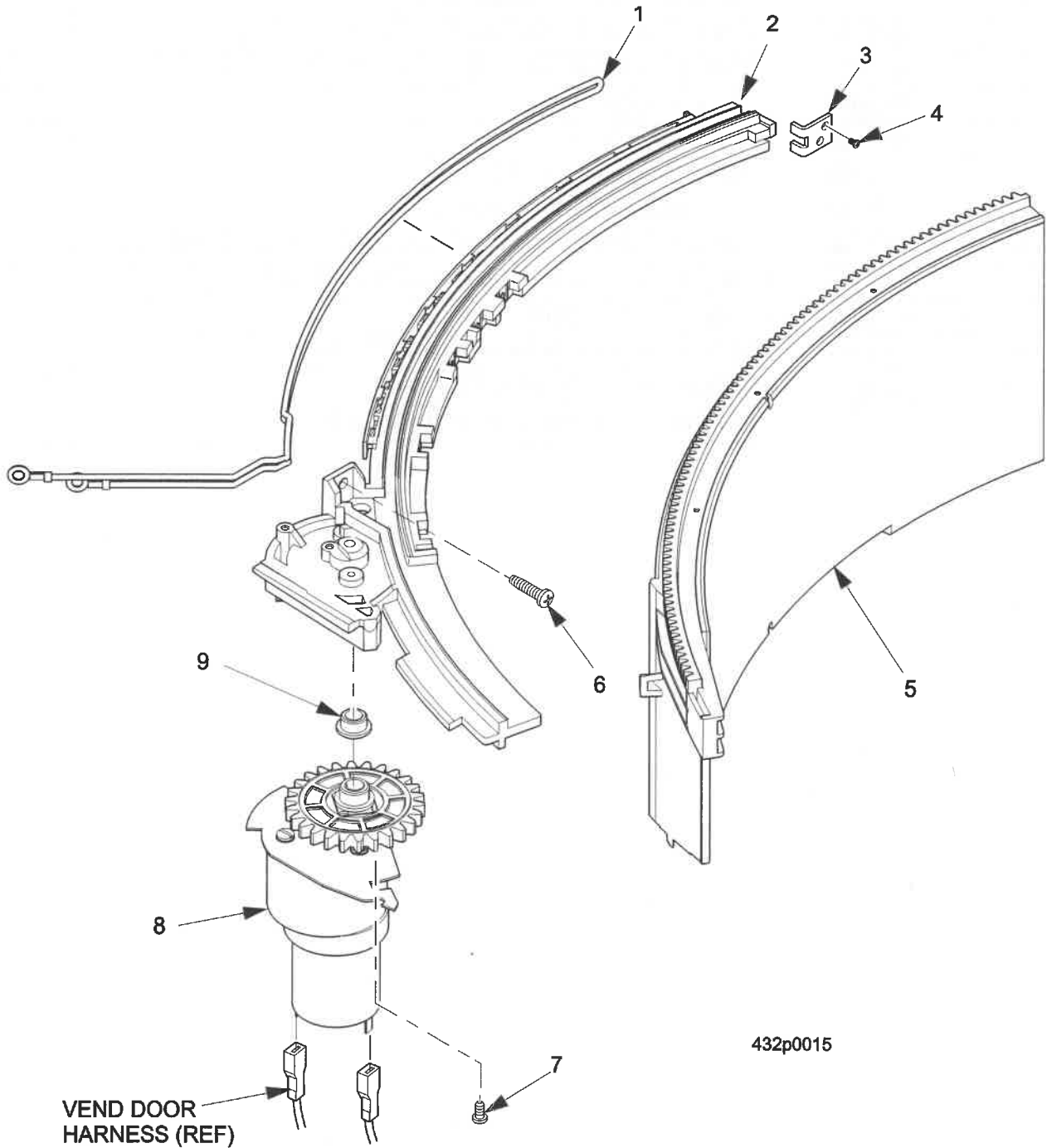


FIGURE 10: POWER VEND GUIDE ASSEMBLY-TOP

TABLE 10: POWER VEND GUIDE ASSEMBLY-TOP

INDEX	PART NUMBER	DESCRIPTION	QTY
--	4322161	GUIDE ASSEMBLY - VEND - TOP - POWER	--
--	4322158	GUIDE & HEATER ASSEMBLY - VEND (ITEMS 1-2)	1
1	4326000	WIRE & TERMINAL ASSEMBLY - HEATER DOOR - 24 VAC	1
2	4322051	GUIDE - DOOR - VEND	1
3	4322136	RETAINER - GUIDE	1
4	1472132	SCREW - #6-32 X .25 PHS T/C	2
5	4322133	WELD ASSEMBLY - VEND DOOR	1
6	1572242	SCREW - #8-18 X.75 PLASTITE HHS	1
7	4321168	SCREW - #6-19 X .31 PHIL.PHS.T/	1
8	4322148	MOTOR BRACKET & GEAR ASSEMBLY - VEND	1
9	4322116	BEARING - SHOULDER - BRONZE	1

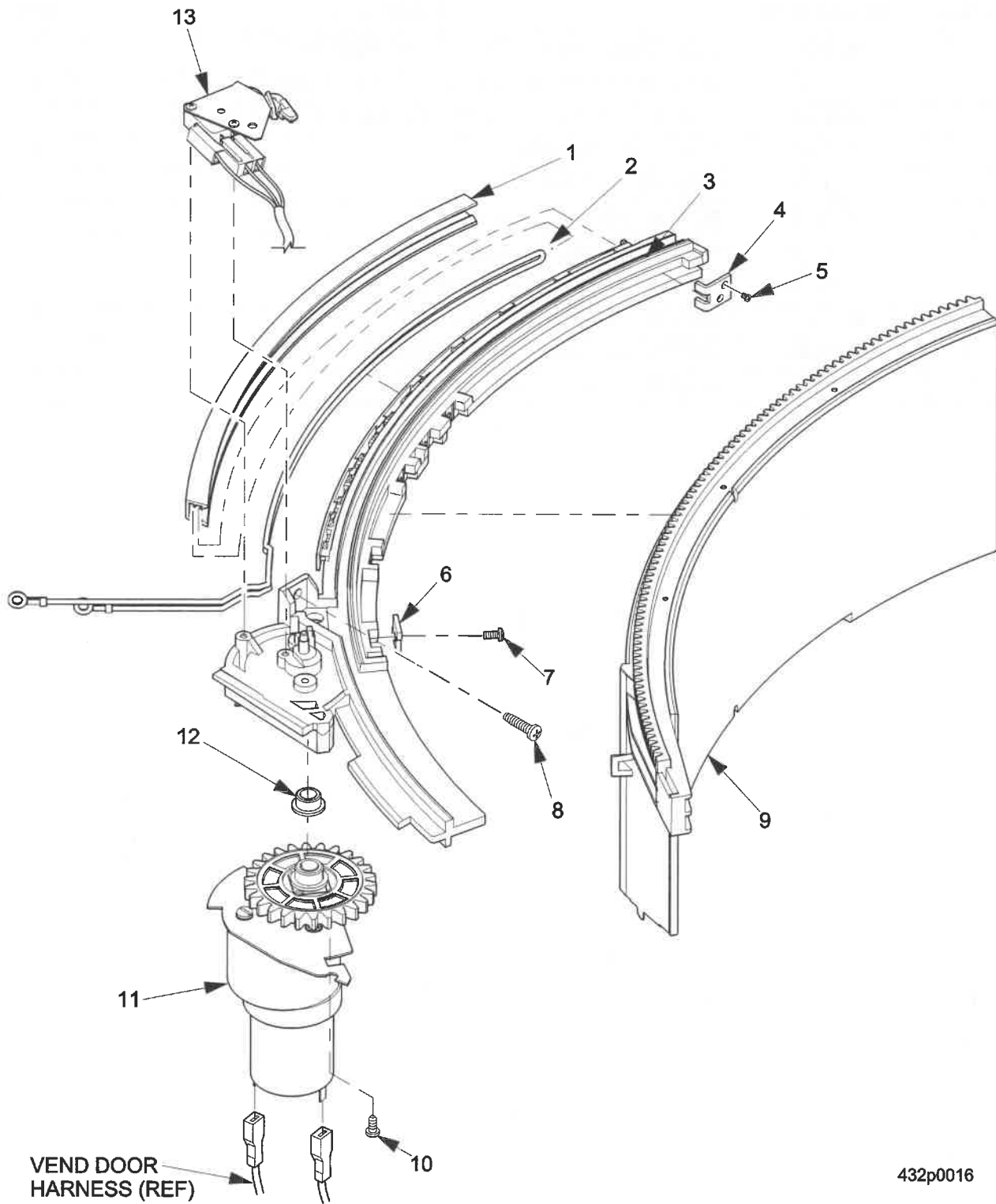


FIGURE 11: POWER VEND GUIDE ASSEMBLY-MIDDLE

432p0016

TABLE 11: POWER VEND GUIDE ASSEMBY-MIDDLE

INDEX	PART NUMBER	DESCRIPTION	QTY
--	4322163	GUIDE ASSEMBLY - VEND - MID - POWER	--
1	4322100	COVER - GUIDE - VEND	1
--	4322158	GUIDE & HEATER ASSEMBLY - VEND (ITEMS 2-3)	1
2	4326000	WIRE & TERMINAL ASSEMBLY - HEATER DOOR - 24 VAC	1
3	4322051	GUIDE - DOOR - VEND	1
4	4322136	RETAINER - GUIDE	1
5	1472132	SCREW - #6-32 X .25 PHS T/C	2
6	4322226	STOP - VEND - DOOR	1
7	4322193	SCREW - #6-19 X .31 TAMPER PROOF TORX P.H.	1
8	1572242	SCREW - #8-18 X.75 PLASTITE HHS	1
9	4322133	WELD ASSEMBLY - VEND DOOR	1
10	4321168	SCREW - #6-19 X .31 PHIL.PHS.T/C	1
11	4322148	MOTOR BRACKET & GEAR ASSEMBLY - VEND	1
12	4322116	BEARING - SHOULDER - BRONZE	1
13	--	SEE FIGURE 12 DOOR SWITCH ASSEMBLY	1

ECO V-103-05
4322194 Torx Bit obs.

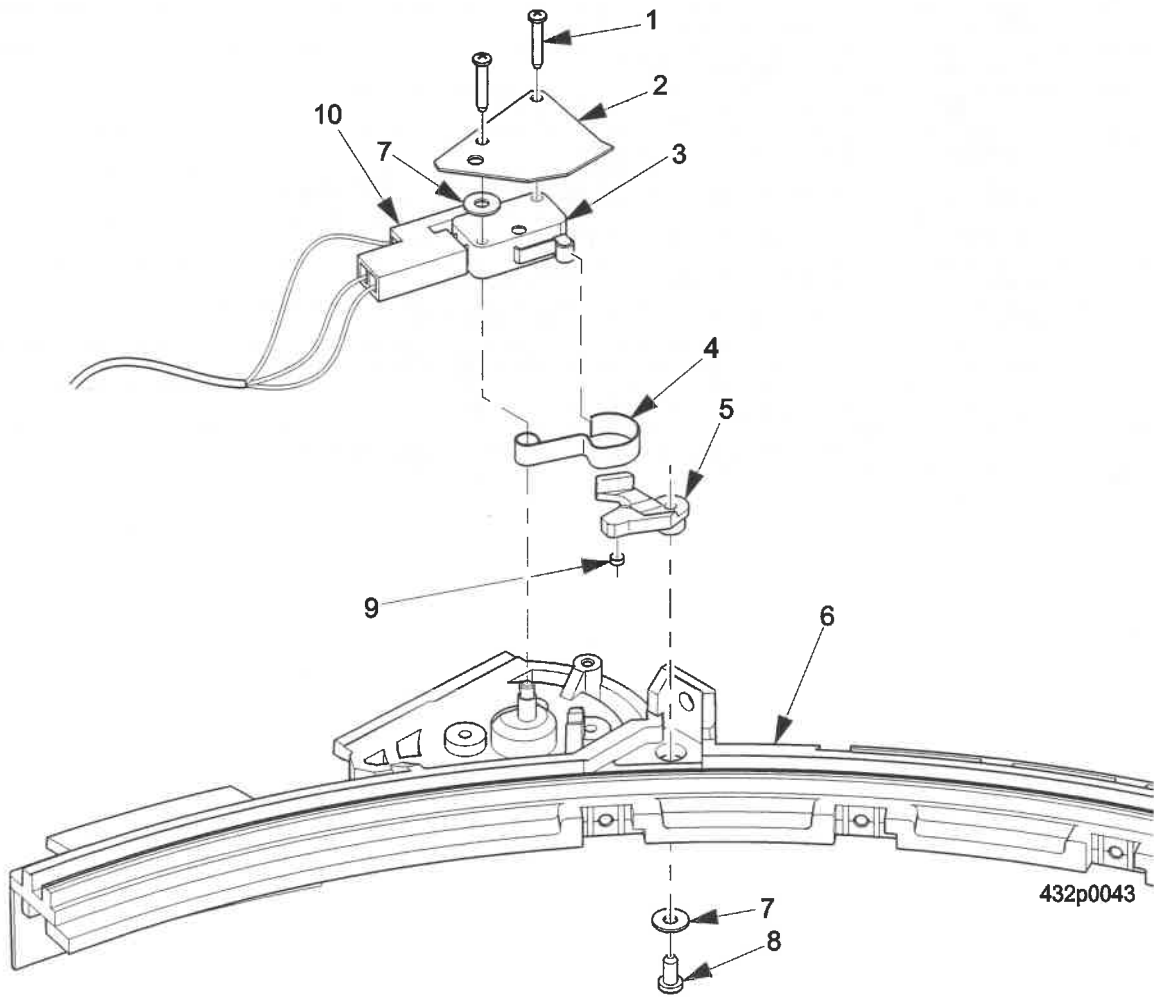
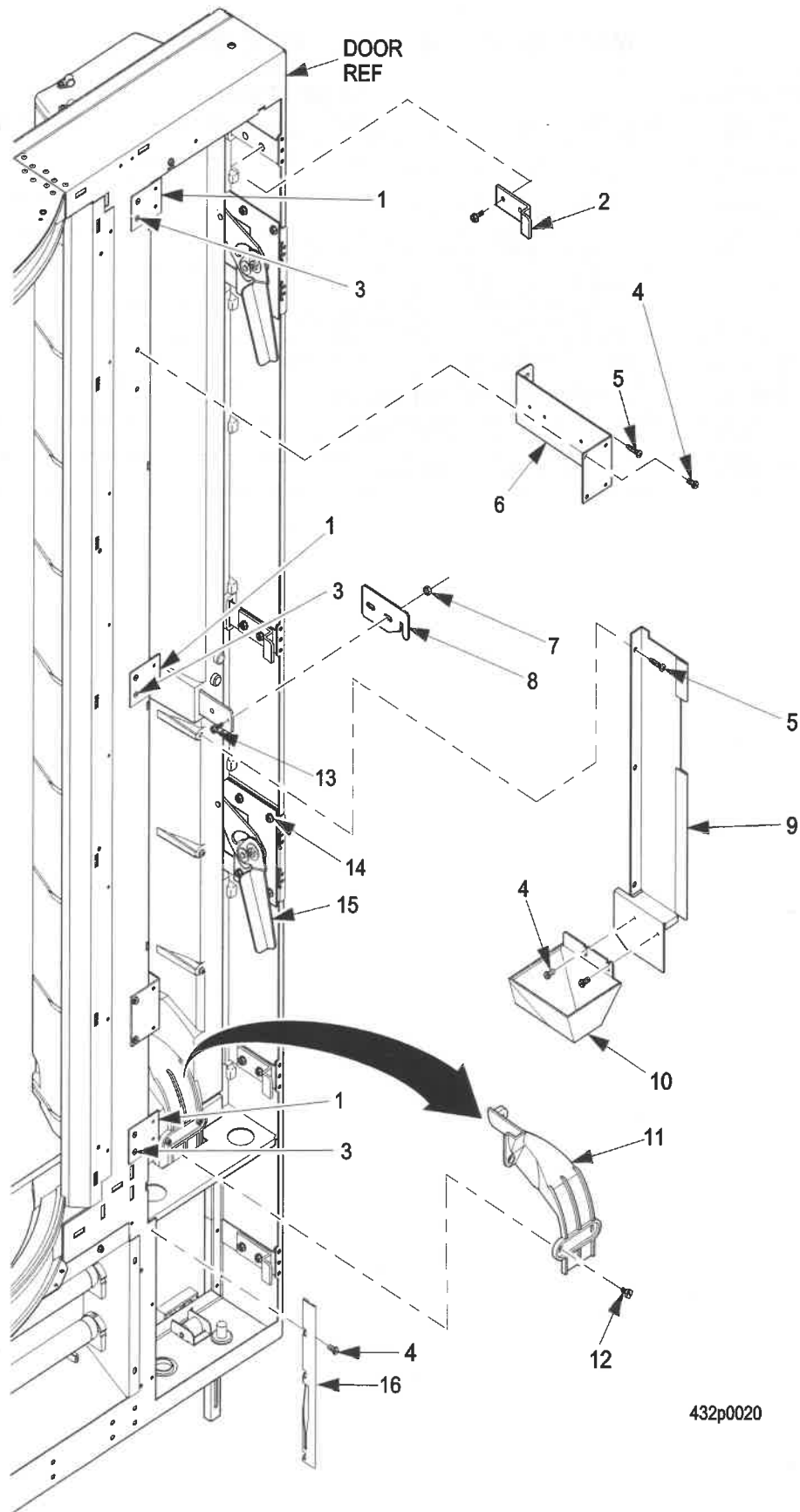


FIGURE 12: DOOR SWITCH ASSEMBLY

TABLE 12: DOOR SWITCH ASSEMBLY

INDEX	PART NUMBER	DESCRIPTION	QTY
1	4322141	SCREW-#3-24 X .62 PLASTITE-PN-	2
2	4322155	COVER-MICRO SWITCH	1
3	9984634	SWITCH-ROLLER LEVER	1
4	4322130	SPRING-SWITCH-DOOR-VEND	1
5	4322225	CAM-MICRO SWITCH	1
6	4322158	GUIDE & HEATER ASSY-VEND	1
7	9900065	WASHER STEEL 3/8 X .147 X .031	2
8	1472132	SCREW-#6-32 X .25 PHS T/C	1
9	4322224	ROLLER-CAM-MICRO SWITCH	1
10	4329033	HARNESS-VEND DOOR	1

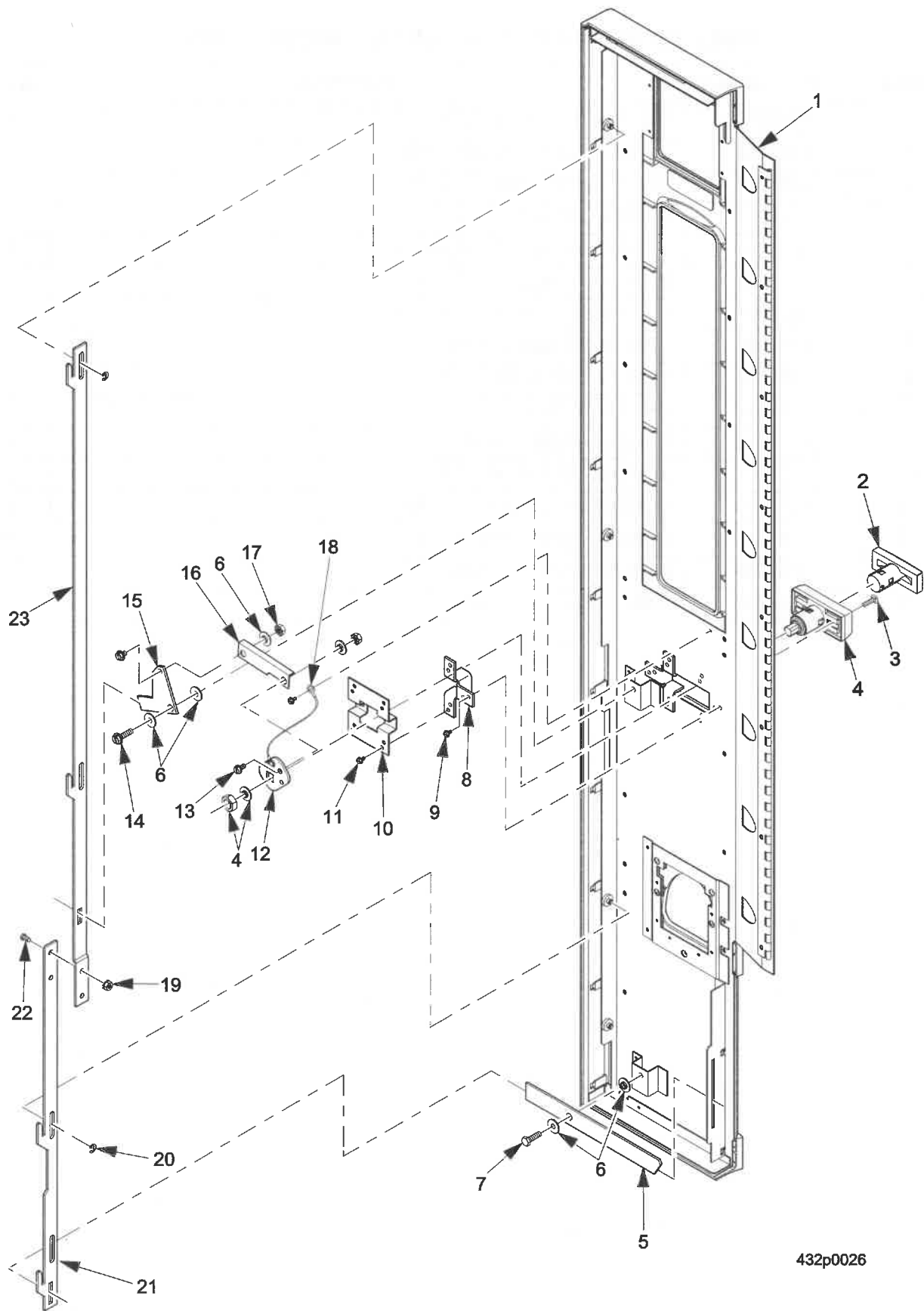


432p0020

FIGURE 13: INTERIOR DOOR - MISCELLANEOUS PARTS

TABLE 13: INTERIOR DOOR - MISCELLANEOUS PARTS

INDEX	PART NUMBER	DESCRIPTION	QTY
1	4327019	TAP PLATE - LATCH ARM	3
2	4322056	LATCH - DOOR - MONETARY	4
3	3502078	RIVET - POP - .125 DIA X .265	6
4	1451097	SCREW - #8-32X.31 HEX HD.TF-BL	37
5	1572242	SCREW- #8-18 X ,75 PLASTITE HH	3
6	4322035	BRACKET - MOUNT - SLIDE	2
7	9900081	NUT #8-32 KEPS ZINC PLATE	2
8	4325131	ARM LOCK-MONETARY	1
9	4325125	SIDE-FILLER-MONETARY	1
10	4325068	CHUTE-PAYOUT	1
11	4322128	CHUTE- MONEY BOX	1
12	1437204	SCREW - #8-10X.38 HEX HD.TF	3
13	1572450	SCREW #8-32 X 9/16 P/H PHIL.	2
14	1141046	SCREW - #10-32X3/8 ACORN HEX W	14
15	4302039	LATCH/PLATE ASSEMBLY	2
16	4322233	ANGLE-BACKUP, POP	1



432p0026

FIGURE 14: LOCK BAR ASSEMBLY

TABLE 14: LOCK BAR ASSEMBLY

INDEX	PART NUMBER	DESCRIPTION	QTY
1	4325013	WELD ASSEMBLY - ACCESS PANEL	1
2	1572397	LEVER-LOCK HANDLE	1
3	4307024	CARRIAGE BOLT - #10-24 X 1.0	2
4	4322113	LOCK ASSEMBLY - "T"	1
5	4325144	BAR - LOCK, LOWER	1
6	6233028	BUSHING	6
7	1141054	SCREW - 1/4-20 X 3/4 HEX HD	1
8	4325121	REINFORCEMENT - LOCK - SIDE	2
9	1451097	SCREW - #8-32X.31 HEX HD.TF-	4
10	4325122	MOUNT - LOCK - ACCESS PANEL	1
11	4741050	SCREW - #8-32 X .50 HX.HD.-T	8
12	4325151	DRIVER - ACTUATOR LOCK GND	1
13	6233021	SCREW - 1/4 X 20 X .5 HEX HD	4
14	1141054	SCREW - 1/4-20 X 3/4 HEX HD	1
15	4325118	DRIVEN - ACTUATOR - LOCK	1
16	4325117	LINK - ACTUATOR - LOCK	1
17	1211104	1/4 LOCKWASHER HELICAL SPRING	2
18	9989883	WIRE - GROUND - 5"	1
19	1211105	1/4-20 KEPS NUT EXT LW ZP	4
20	9900425	RETAINING RING REINF E TYP.250	7
21	4325146	LOCKBAR - LOWER	1
22	6262021	SCREW - 1/4-20 T/TITE X .50HHS	1
23	4325145	LOCK BAR - UPPER	1

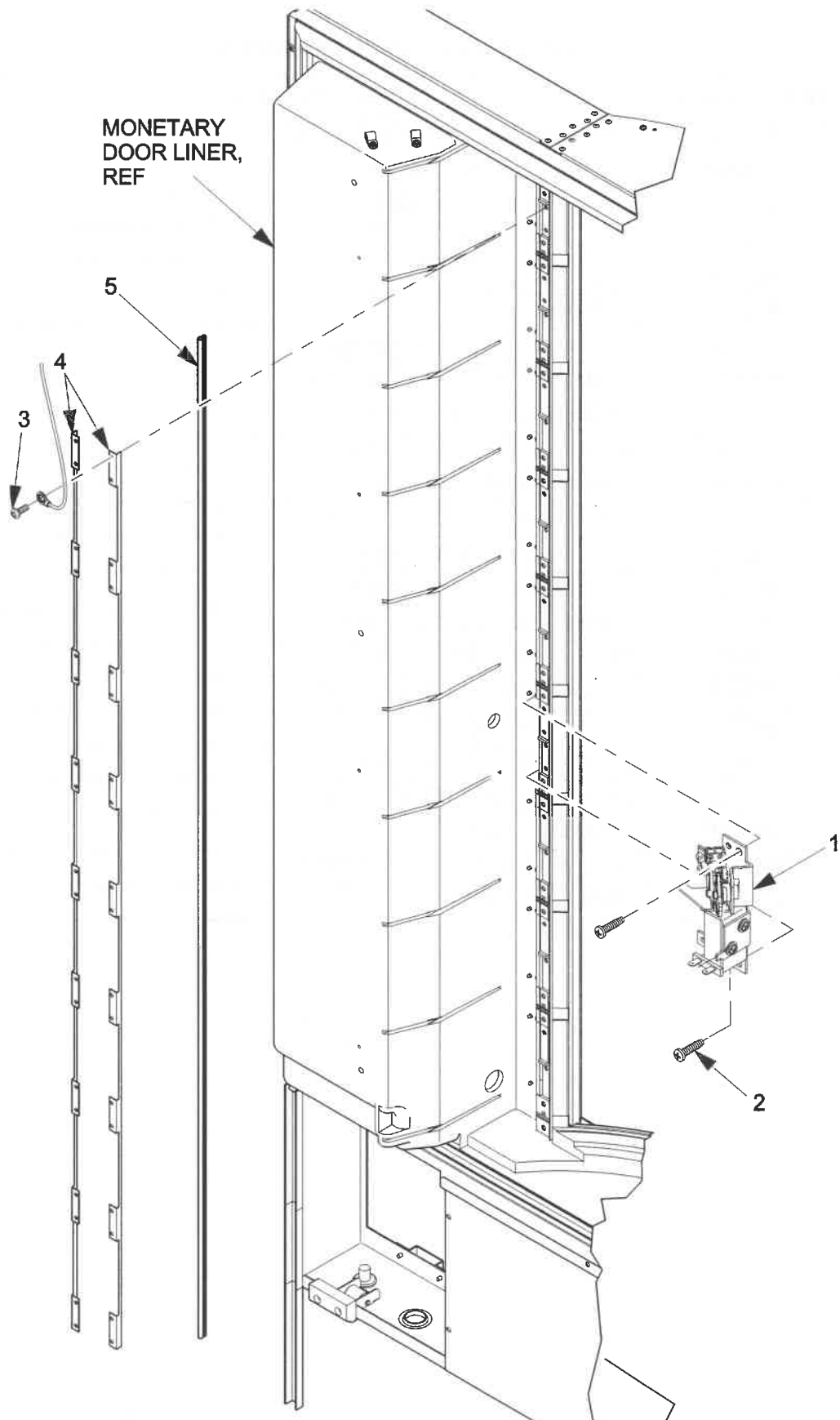


FIGURE 15: BUSS BAR AND VEND DOOR LOCK

TABLE 15: BUSS BAR AND VEND DOOR LOCK

INDEX	PART NUMBER	DESCRIPTION	QTY
1	4322147	LOCK ASSY-DOOR VEND-SOLENOID	9
2	1572242	SCREW - #8-18 X.75 PLASTITE	18
3	4552032	SCREW-#8-1/2 PHILLIPS-PH.-S.S.	22
4	4326009	BUSS BAR	2
5	4322090	SEAL - TUBE & DART	1

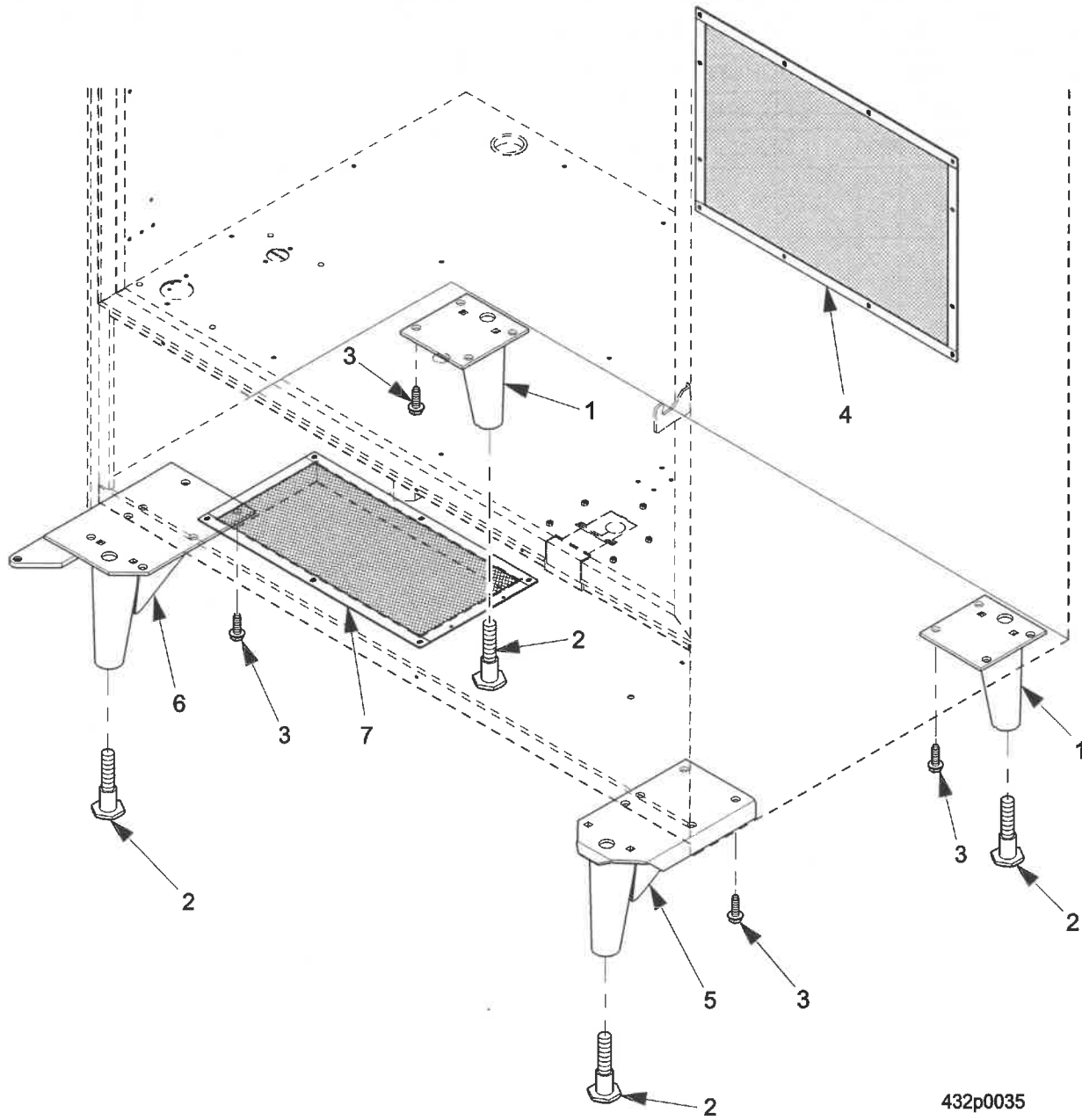


FIGURE 16: LEG ASSEMBLIES & AIR INLET/OUTLET SCREENS

TABLE 16: LEG ASSEMBLIES & AIR INLET/OUTLET SCREENS

INDEX	PART NUMBER	DESCRIPTION	QTY
--	1471237	LEG & LEVELER ASSEMBLY - CABINET (ITEMS 1-2)	--
1	4311068	LEG ASSEMBLY - CABINET - WELD	2
2	1471098	LEVELER - CABINET	4
3	9900218	SCREW - #5/16 X 1 W/LOCKING RING	16
--	4301039	LEG & LEVELER ASSEMBLY - RIGHT FRONT (ITEMS 2 AND 5)	--
4	4321156	SCREEN - OUTLET AIR	1
5	4301045	LEG ASSEMBLY - RIGHT FRONT	1
--	4321084	LEG, HINGE & LEVELER ASSEMBLY (ITEMS 2 AND 6)	--
6	4321085	PLATE ASSEMBLY - LEG & HINGE	1
7	4321150	SCREEN - INLET AIR	1

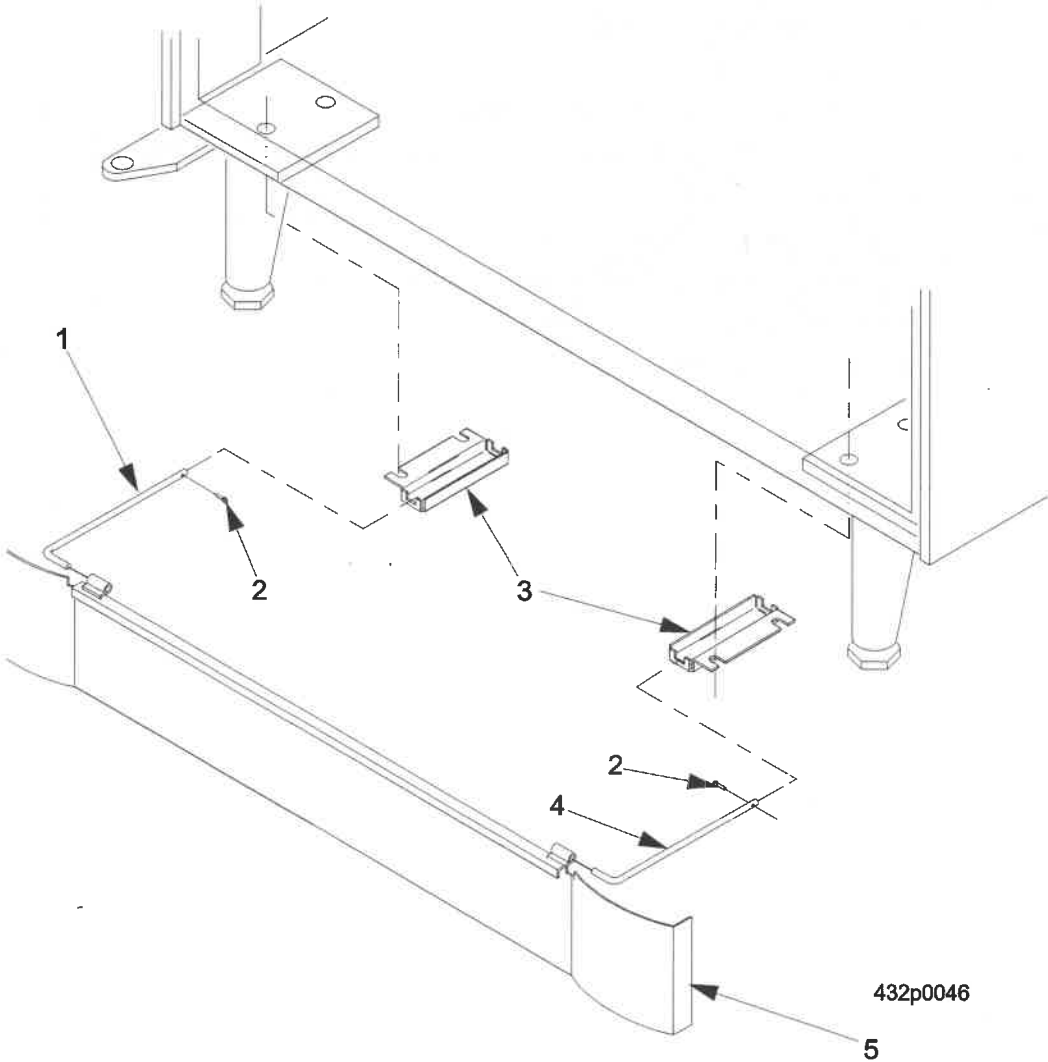


FIGURE 17: BASE PLATE ACCESSORY

TABLE 17: BASE PLATE ACCESSORY

INDEX	PART NUMBER	DESCRIPTION	QTY
--	4311190	BASE PLATE AND ACCESSORY ASSEMBLY - 38" - MILLENNIA	--
1	4551153	SLIDE - BASE PLATE - LEFT HAND	1
2	9900098	COTTER PIN 3/32 X 3/4 LONG	2
3	4311071	BRACKET - BASE PLATE	2
4	4551154	SLIDE - BASE PLATE - RIGHT HAND	1
5	1571161	BASE PLATE ASSEMBLY - 38" MILLENNIA	1

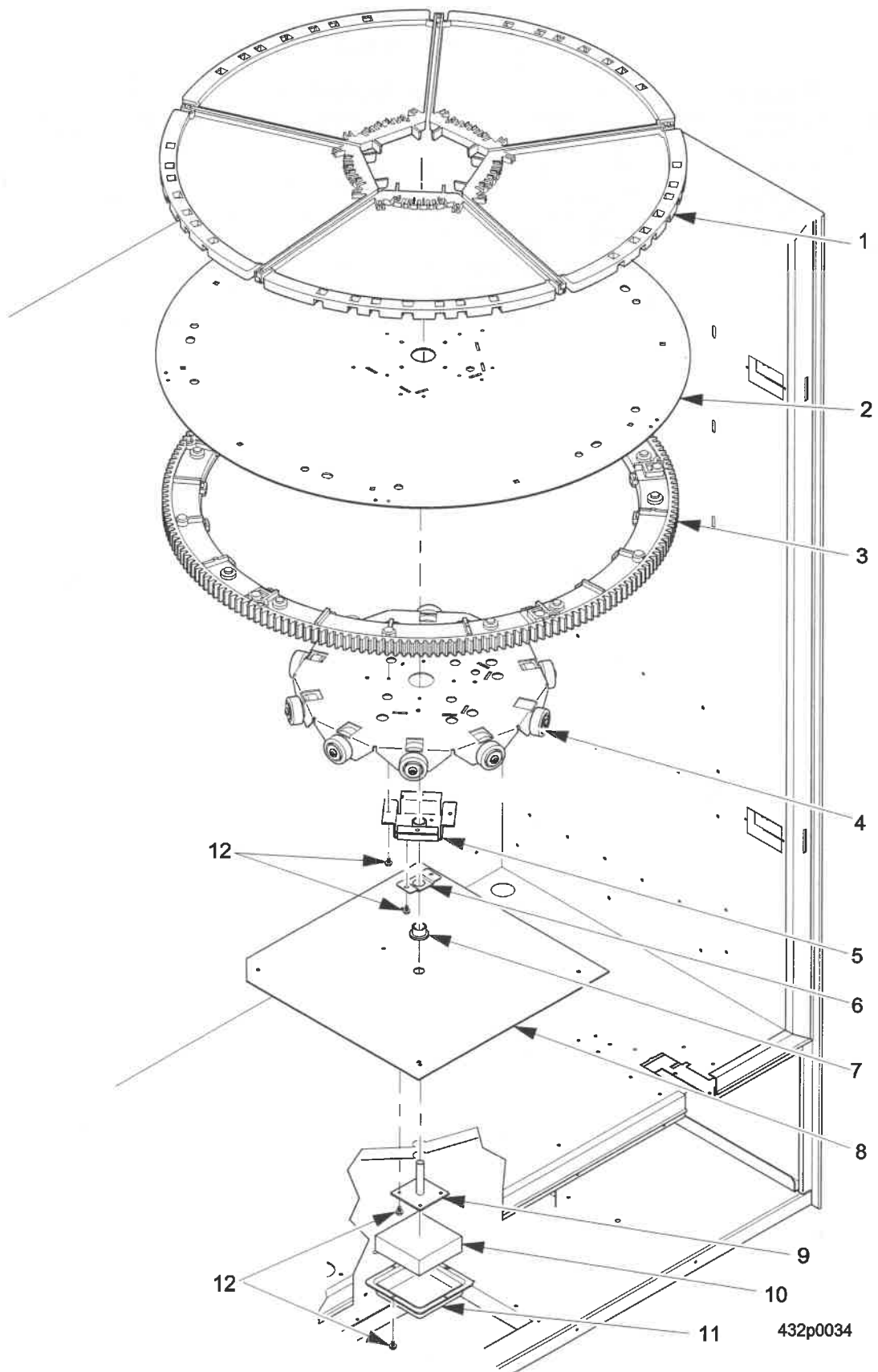


FIGURE 18: TURRET

TABLE 18: TURRET

INDEX	PART NUMBER	DESCRIPTION	QTY
--	4327047	TURRET - STANDARD - BLACK	--
1	4327041	SHELF - PRODUCT	45
2	4327059	BASE ASSEMBLY - TURRET - BOTTOM	1
3	4327001	GEAR SECTION - 5 SEGMENT	5
4	4327061	PLATE ASSEMBLY - ROLLER SUPPORT	1
5	4327032	PLATE & BUSHING ASSEMBLY - SUPPORT	1
6	4327024	RETAINER - BUSHING	1
7	4311225	BEARING - FLANGED - OILITE FB810-4	1
8	4327010	PLATE - ROLLER BEARING	1
9	4327023	PLATE ASSEMBLY - SHAFT & MOUNTING	1
10	4327025	INSULATION - FOAM	1
11	4327026	COVER - INSULATION	1
12	1451097	SCREW - #8-32 X .31 HEX HD.TF-BLK.	24

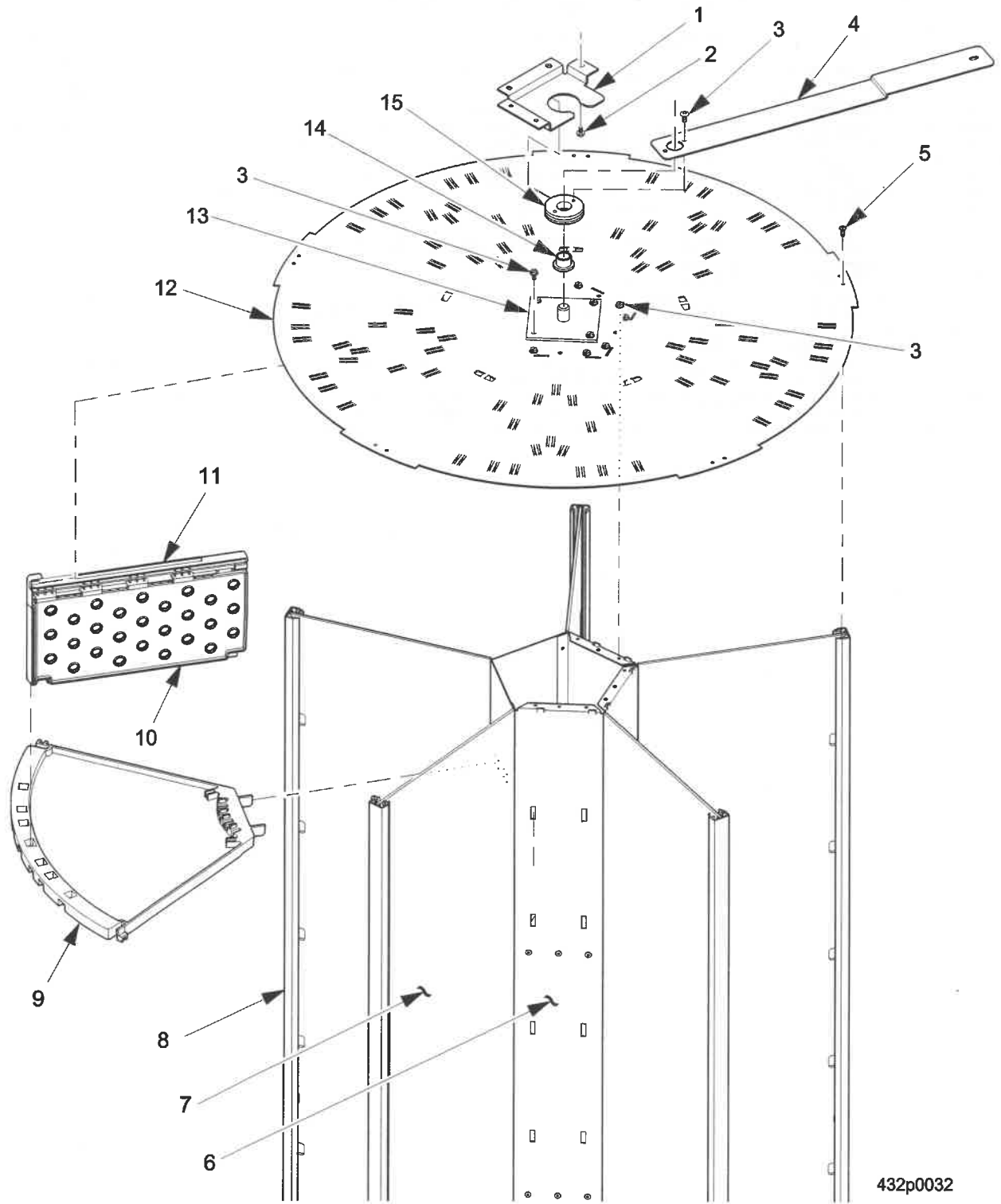
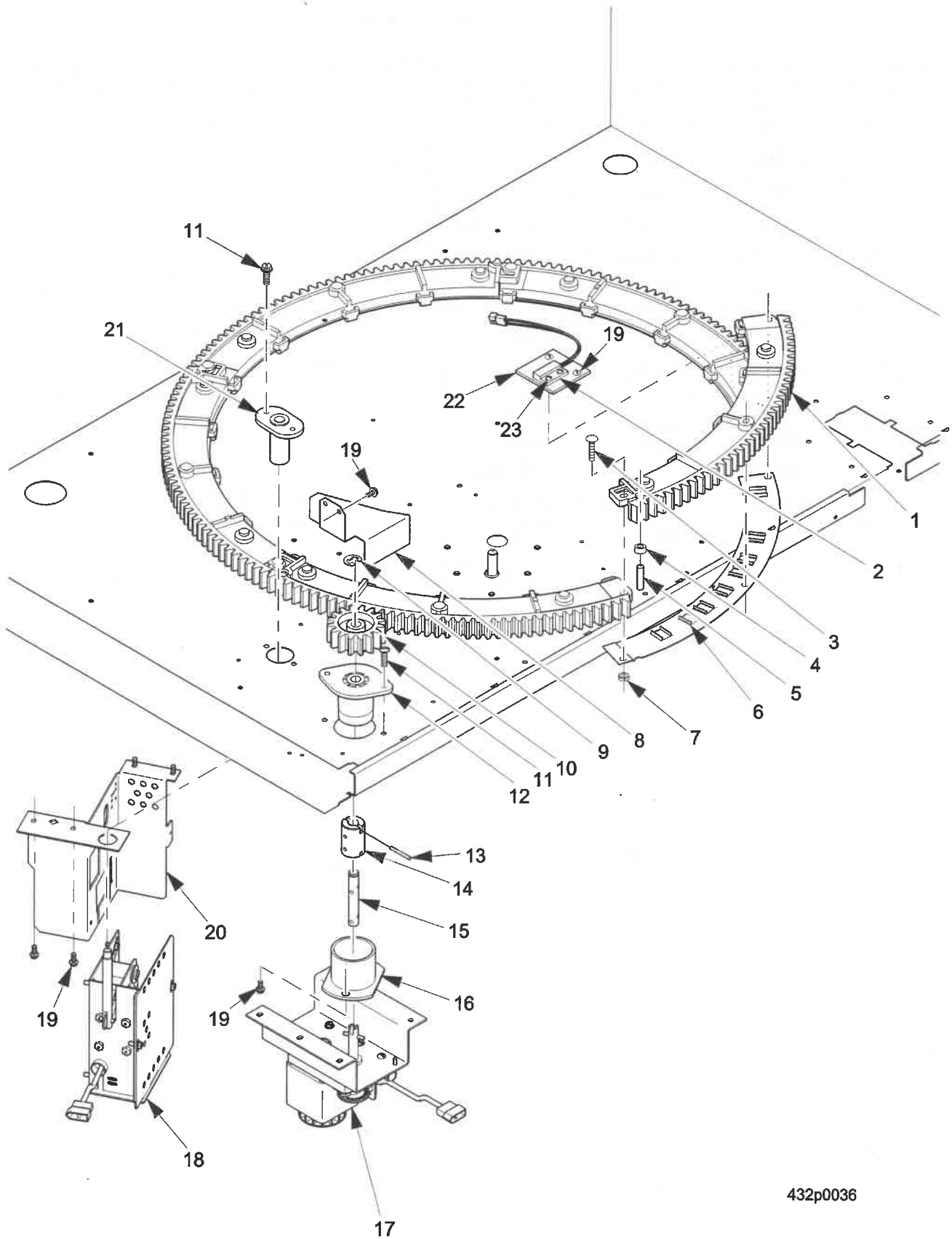


FIGURE 19: TURRET - TOP PARTS

TABLE 19: TURRET - TOP PARTS

INDEX	PART NUMBER	DESCRIPTION	QTY
1	4327039	PLATE - TURRET LATCH - TOP	1
2	1451097	SCREW - #8-32X.31 HEX HD.TF-BL	6
3	1451097	SCREW - #8-32X.31 HEX HD.TF-BL	10
4	4327044	ARM - TURRET LATCH - TOP	1
5	9900092	SCREW - #6-32 X 3/8 PHIL.PH.	20
6	4327048	COLUMN ASSEMBLY - CENTER	1
7	4327031	WALL - SHELF (CLEAR)	5
8	4327007	RAIL - TURRET	5
9	4327041	SHELF - PRODUCT	45
10	4327042	DIVIDER - SHELF	90
11	4327043	RETAINER - SHELF	90
12	4327002	TOP PLATE - TURRET	1
13	4307032	PIN & PLATE ASSEMBLY	1
--	4327045	BUSHING & LOCK NUT ASSEMBLY (NEXT 2 ITEMS)	--
14	4311225	BEARING - FLANGED - OILITE FB810	1
15	4327040	LOCK NUT - TURRET LATCH - TOP	1



432p0036

FIGURE 20: TURRET - BOTTOM PARTS

TABLE 20: TURRET - BOTTOM PARTS

INDEX	PART NUMBER	DESCRIPTION	QTY
1	4327001	GEAR SECTION - 5 SEGMENT	5
2	4329022	SENSOR - PROXIMITY	1
3	4307024	CARRIAGE BOLT - #10-24 X 1.00	10
4	5277437	SPACER - NYLON	1
5	4301353	MAGNET - MAGNETIZED	1
6	4327014	PLATE - STOP PIN - 5 SEGMENT	5
7	4307029	NUT - #10-24 SELF-LOCKING	10
8	4321201	COVER - TURRET - MOTOR - GEAR	1
9	9900437	RETAINING RING REINF E TYP.375	1
10	4327034	GEAR - DRIVE - BLACK	1
--	4321106	BUSHING & DRIVE SHAFT ASSEMBLY (ITEMS 12 -15)	--
11	4312217	SCREW #8-32 X .50 PHILLIPS-PN HD	4
12	4321001	HOUSING - DRIVE SHAFT - UPPER	1
13	4301375	GROOVE - PIN - .125 DIA.X.875 LG.	4
14	4301394	COUPLING - DRIVE	1
15	4301395	SHAFT - DRIVE	1
16	4321002	HOUSING - DRIVE SHAFT - LOWER	1
17	4321114	MOTOR DRIVE ASSEMBLY -115V (SEE TABLE 21 FOR DETAILS)	1
18	4321185	STOP PIN ASSEMBLY-115V (SEE TABLE 22 FOR DETAILS)	1
19	1451097	SCREW-#8-32 X .31 HEX HD. TF-BLK	10
20	4327052	BRACKET-STOP PIN ASSY	1
21	4311237	BUSHING-STOP PIN	1
22	4327020	PLATE-SENSOR	1
23	1212140	SCREW-#4-40 X 1/4 RHS	2

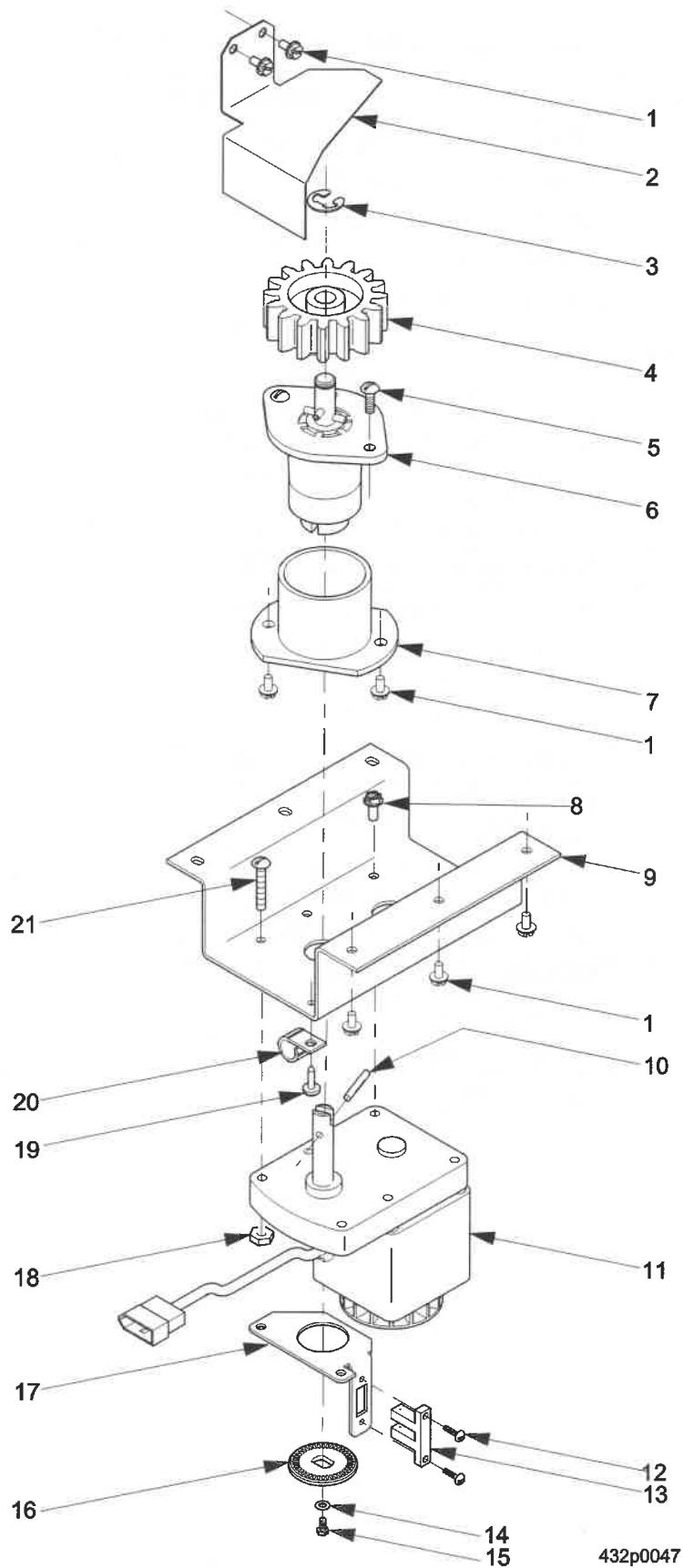


FIGURE 21: MOTOR DRIVE ASSEMBLY

TABLE 21: MOTOR DRIVE ASSEMBLY

INDEX	PART NUMBER	DESCRIPTION	QTY
--	4321114	MOTOR DRIVE ASSEMBLY - (115V) (ITEMS 8-21)	--
	4321191	MOTOR DRIVE ASSEMBLY - (230V)(ITEMS 8-21)	
1	1451097	SCREW-#8-32X.31 HEX HD.TF-	10
2	4321201	COVER-TURRET-MOTOR-GEAR	1
3	9900437	RETAINING RING REINF E TYP	1
4	4327034	GEAR-DRIVE-BLACK	1
5	4312217	SCREW#8-32 X.50 PHILLIPS-P	6
6	4321106	BUSHING & DRIVE SHAFT ASSY	1
7	4321002	HOUSING-DRIVE SHAFT-LOWER	1
8	6234295	SCREW-#8-32X.38 HHS W/LW	4
9	4321207	BRACKET - MOTOR MOUNT	1
10	4301375	GROOVE - PIN - .125 DIA.X.875 LG	1
11	4321116	MOTOR - REVERSIBLE - (115V)	1
	4321192	MOTOR - REVERSIBLE - (230V)	
12	4271062	SCREW-#4-24 X .375 PH Z-P	2
13	4321199	ASSY- MOTION DETECTOR	1
14	2204093	WASHER - SCAVENGER BAR	1
15	9900205	SCREW #10-32 X 3/8 HEX HD	1
16	4321107	ENCODER - FOOD DRUM POSITION	1
17	4321198	BRACKET - ENCODER SENSOR MOUNTING	1
18	9900081	NUT #8-32 KEPS ZINC PLATE	2
19	9900160	SCREW-#8-18 X 1/2"PHIL.PAN	1
20	1452139	RETAINER-HARNESS	1
21	5004473	SCREW - #8-32X1.25 PHS	2

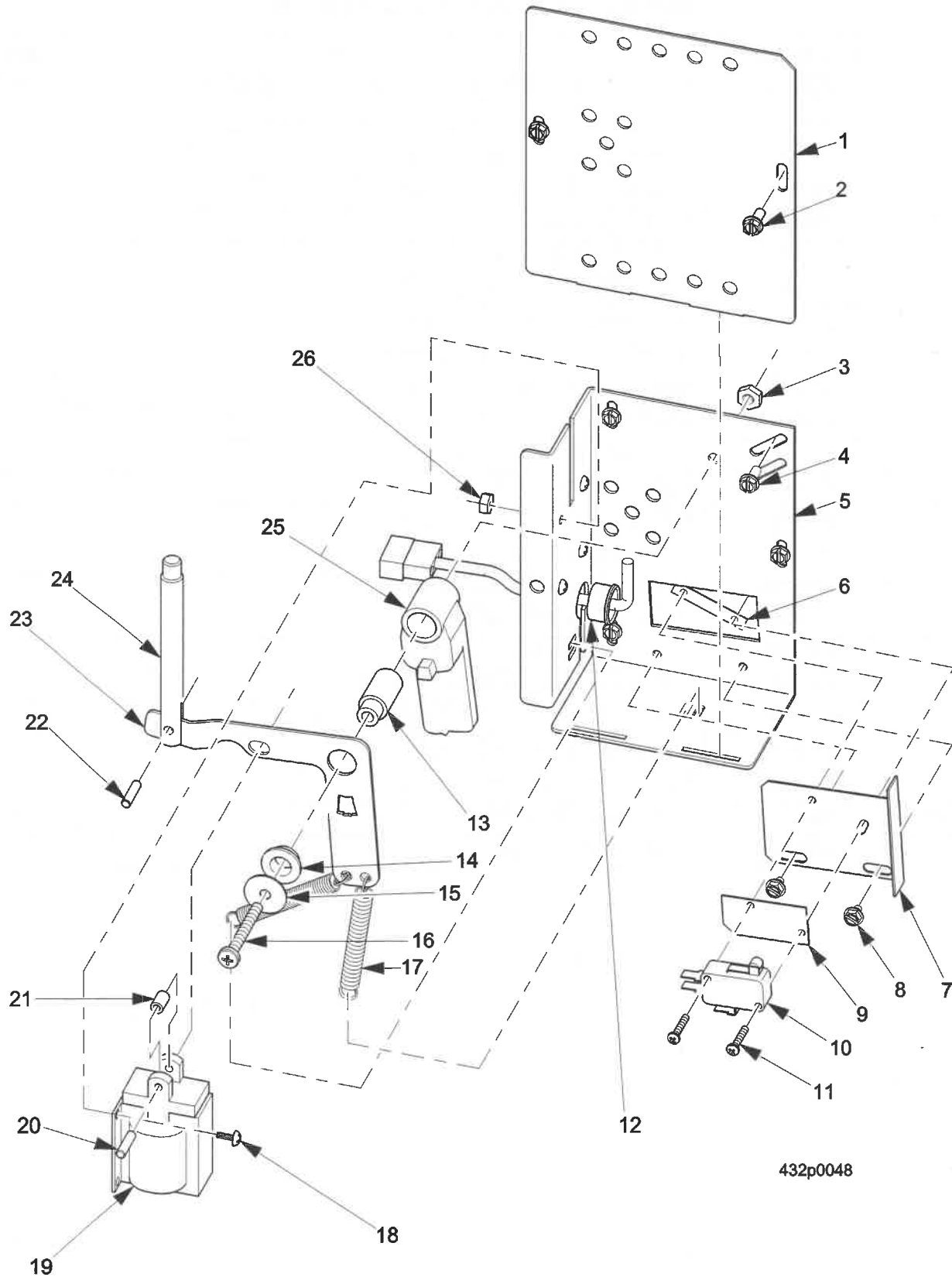
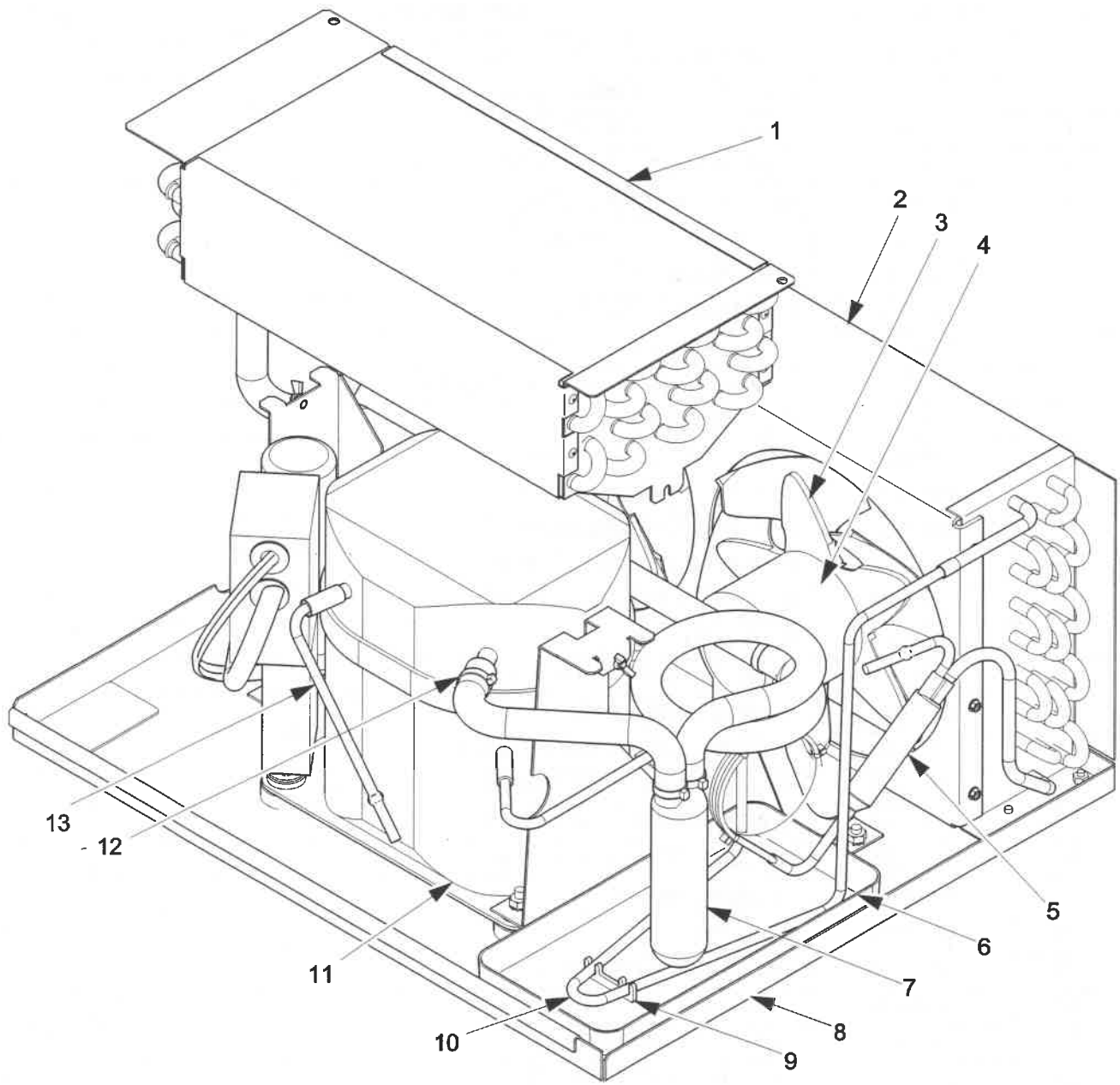


FIGURE 22: STOP PIN ASSEMBLY

TABLE 22: STOP PIN ASSEMBLY

INDEX	PART NUMBER	DESCRIPTION	QTY
--	4321185	STOP PIN ASSEMBLY - (115V)	--
	4321186	STOP PIN ASSEMBLY - (230V)	
1	4327054	COVER-STOP PIN ASSY	1
2	1451097	SCREW-#8-32 X .31 HEX HD. TF-BLK	2
3	9900164	NUT #10-32 KEPS ZINC PLATE	1
4	3157060	SCREW#8-32 X .31HEX/HD.S	4
5	4327053	HOUSING-STOP PIN ASSY	1
6	4302316	FASTENER-TWIN TYPE	1
7	4327063	PLATE-SWITCH-STOP PIN	1
8	9900177	SCREW-#8-32 X 7/32 HEX WHD RGS	2
9	6112042	INSULATOR SWITCH	1
10	9984634	SWITCH-ROLLER LEVER	1
11	4312216	SCREW -#4-40 X 5/8 R.H.P	1
12	9984095	BUSHING-OPEN/CLOSED-.625	1
13	4327064	BUSHING-ACTUATOR-STOP PIN	1
14	4327062	BUSHING-ACTUATOR-STOP PIN	1
15	6138181	WASHER PLATE	1
16	6104411	SCREW #10-32 X 1-1/2 PHILLIPS	1
17	4311076	SPRING-EXTENSION	2
18	9900107	SCREW #6-32 X 5/16-RHS-W/LKW	4
19	4311252	SOLENOID ASSY 120 VOLTS	1
	4311253	SOLENOID ASSY 240 VOLTS	
20	4301375	GROOVE-PIN-.125 DIA. X .875 LG,	1
21	4301364	BUSHING RETAINER	1
22	6104216	ROLL PIN	1
23	4327055	LEVER-ACTUATOR-STOP PIN	1
24	4327037	STOP PIN	1
25	4311082	CAM-SWTCH DELAY	1
26	9900078	NUT #6-32 KEPS ZINC PLATE	4
--	--	LUBRICANT - ENLUBOL AA-2 GREASE OZ (NOT SHOWN)	1



432p0002

FIGURE 23: REFRIGERATION UNIT ASSEMBLY

TABLE 23: REFRIGERATION UNIT ASSEMBLY

INDEX	PART NUMBER	DESCRIPTION	QTY
--	4324000	REFRIGERATION UNIT ASSEMBLY - 60HZ - (115V)	1
	4324001	REFRIGERATION UNIT ASSEMBLY - 50HZ - (230V)	
1	4324003	EVAPORATOR ASSEMBLY - PLUS - PANELS	1
2	4324014	CONDENSER - 9 X 17.5 3R7 FPI	1
3	7214014	BLADE - CONDENSER FAN	2
4	4304092	MOTOR - CONDENSER FAN - (115V)	2
	4774122	MOTOR - CONDENSER FAN - (230V)	
5	4364034	FILTER/DRIER - REFRIGERANT (115V ONLY)	1
6	4324030	PAN - CONDENSATE	1
7	4244009	ACCUMULATOR P-H 22-056380-01	1
8	4324004	BASE/STUD ASSEMBLY - REFRIGERATION UNIT	1
9	4304076	SPACER - COMP. DISCH.TUBE	1
10	4324027	TUBE - DISCH LINE - COMPRESSOR TO CONDENSER	1
11	4274000	COMPRESSOR - (115V) - AKA4460YXA 60H	1
	4314055	COMPRESSOR - (230V) - R134A	
12	2204513	WIRE TIE - #PLT 1.5IM KB	12
13	4364043	TUBE - PROCESS - EL	1

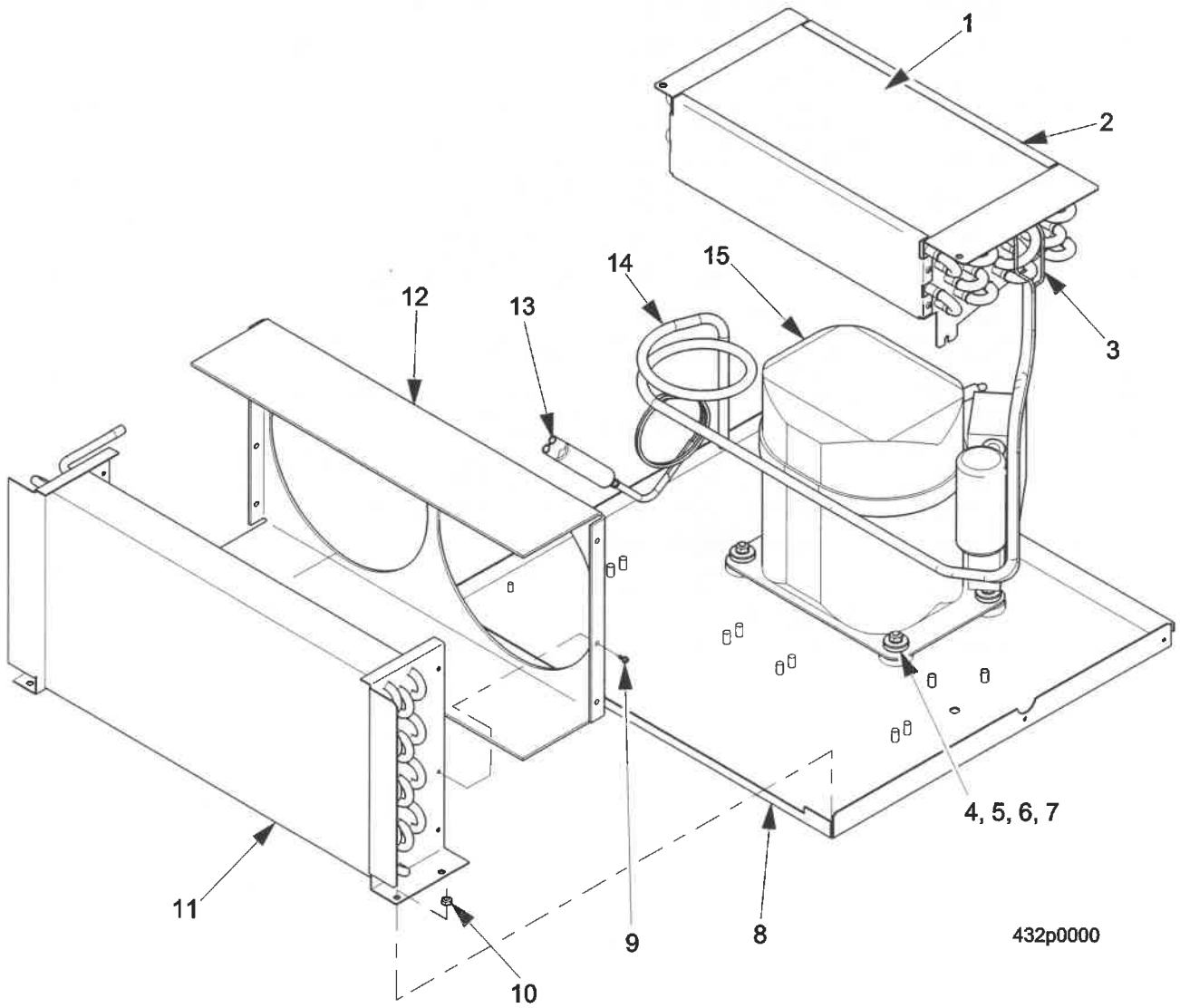
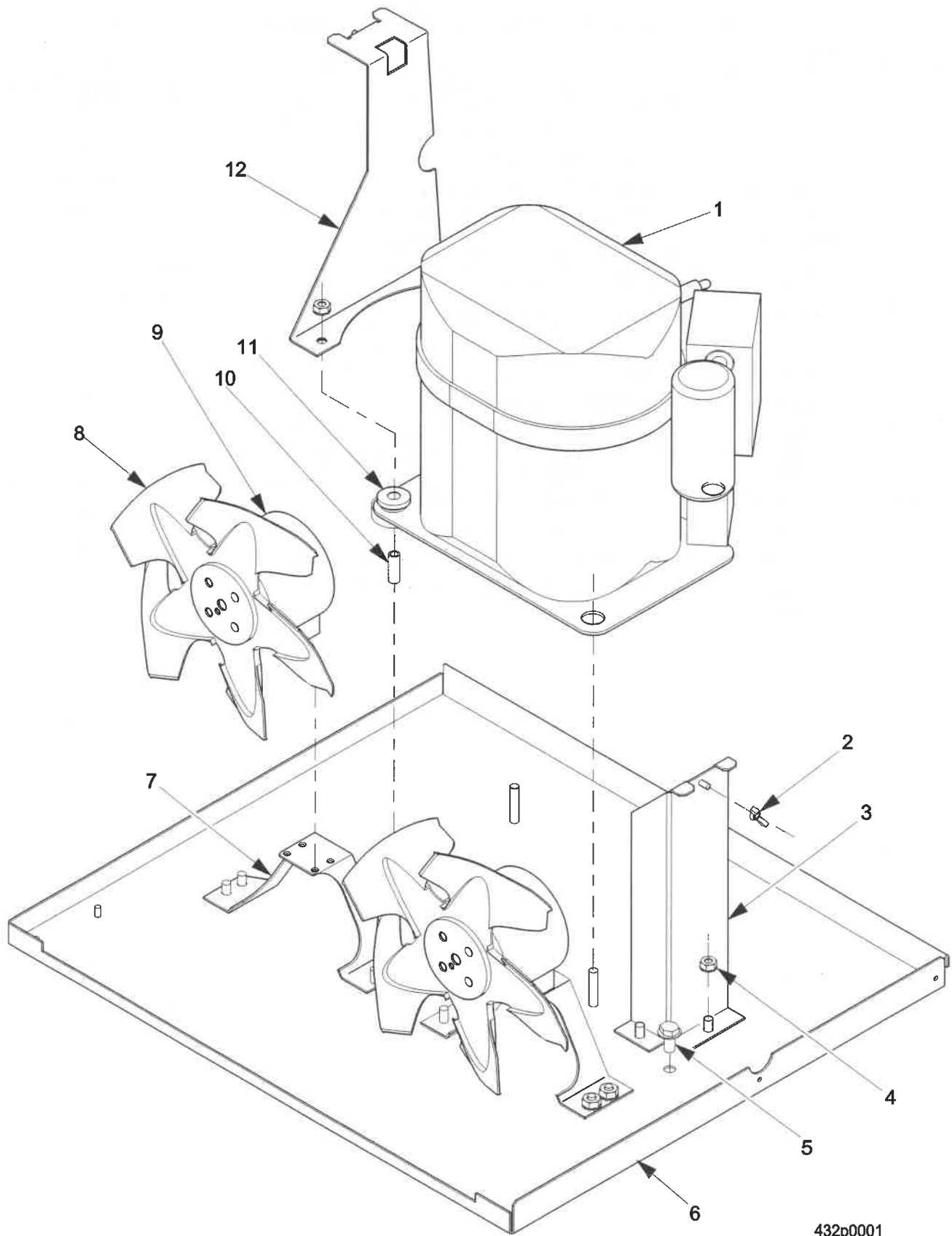


FIGURE 24: REFRIGERATION UNIT COMPONENTS

TABLE 24: REFRIGERATION UNIT COMPONENTS

INDEX	PART NUMBER	DESCRIPTION	QTY
1	4324003	EVAPORATOR ASSEMBLY - PLUS - PANELS (INCLUDES ITEMS 2 & 3)	1
2	4324023	PANEL - EVAPORATOR	2
3	4324022	EVAPORATOR COIL - 4 ROW	1
4	1211105	1/4-20 KEPS NUT EXT LW ZP	14
5	4304236	WASHER - .88 O.D.X.38 I.D.X.063	2
6	4324013	SLEEVE - 11/16 LENGTH	4
7	4324012	GROMMET - 11/16 HEIGHT	4
8	4324004	BASE/STUD ASSEMBLY - REFRIGERATOIN UNIT	1
9	4721035	SCREW - #8-18 X .38 - LGM	6
10	9900081	NUT #8-32 KEPS ZINC PLATE	4
11	4324014	CONDENSER - 9 X 17.5 3R7 FPI	1
12	4324016	SHROUD - CONDENSER - CARDBOARD	1
13	4364034	FILTER/DRIER - REFRIGERANT	1
14	4324029	HEAT EXCHANGER ASSEMBLY	1
15	4274000	COMPRESSOR - AKA4460YXA 60H - (115V)	1
	4314055	COMPRESSOR - R134A - (230V)	

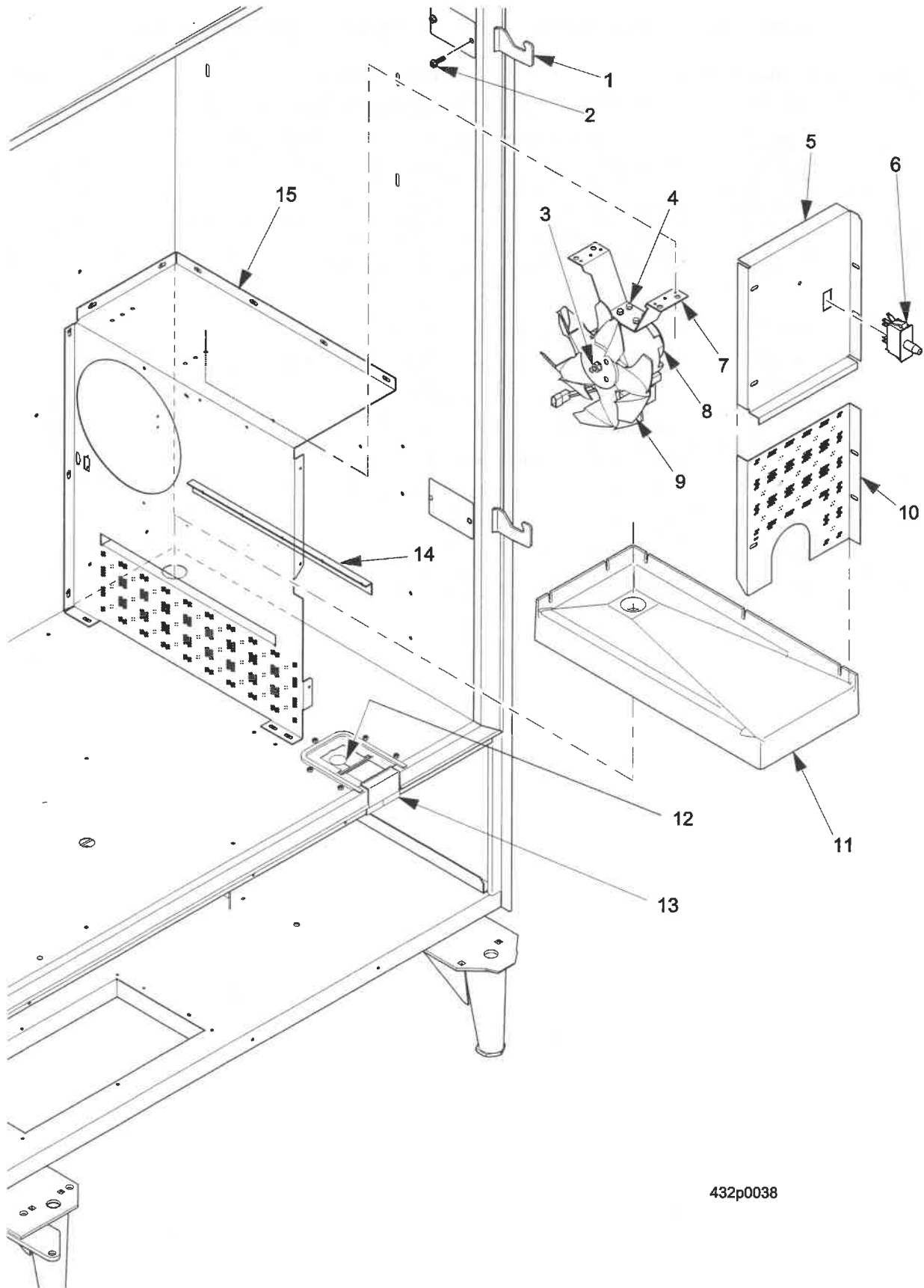


432p0001

FIGURE 25: REFRIGERATION UNIT - BASE AND CONDENSER FAN

TABLE 25: REFRIGERATION UNIT - BASE AND CONDENSER FAN

INDEX	PART NUMBER	DESCRIPTION	QTY
--	4324000	REFRIGERATION UNIT ASSEMBLY - COMPRESSOR - (115V)	1
	4324001	REFRIGERATION UNIT ASSEMBLY - 50HZ - (230V)	
1	4274000	COMPRESSOR-AKA4460YXA 115V 60H	1
	4314055	COMPRESSOR-220V-R134A	
2	4271080	NUT - WING - #8-32 W/NYLON INSERT	2
3	4324009	ASSEMBLY - FRONT - SHIP - BRACKET - STUD	1
4	1211105	1/4-20 KEPS NUT EXT LW ZP	14
5	6401052	SCREW-#5/16-18 X .63 HEX HD.	1
6	4324004	BASE/STUD ASSEMBLY - REFRIGERATION UNIT	1
7	4324037	BRACKET - MOTOR MOUNT	2
8	7214014	BLADE - CONDENSER FAN	2
9	4304092	MOTOR - CONDENSER FAN - (115V)	2
	4774122	MOTOR - CONDENSER FAN - (230V)	
10	4324013	SLEEVE - 11/16 LENGTH	4
11	4324012	GROMMET - 11/16 HEIGHT	4
12	4324010	ASSEMBLY - BACK - SHIP - BRACKET - STUD	1

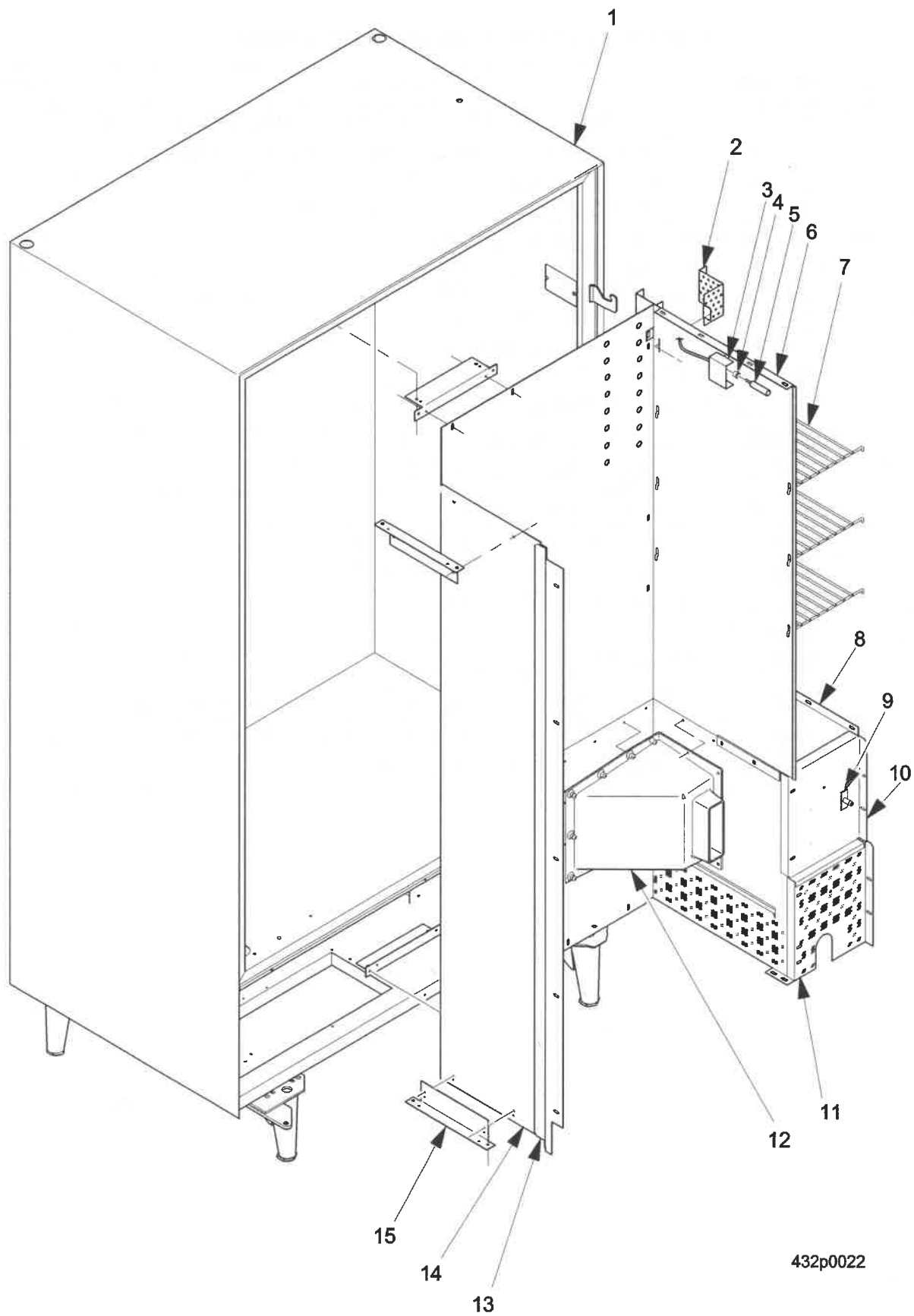


432p0038

FIGURE 26: EVAPORATOR MOTOR ASSEMBLY

TABLE 26: EVAPORATOR MOTOR ASSEMBLY

INDEX	PART NUMBER	DESCRIPTION	QTY
--	4321172	EVAPORATOR MOTOR ASSEMBLY - (115V) (ITEMS 1,2, 5-7)	--
	4321173	EVAPORATOR MOTOR ASSEMBLY - (230V) (ITEMS 1,2, 5-7)	
1	4321061	ARM-LOCK-CABINET	2
2	1141043	10-32 X 1/2 ACORN HWHO-WIBS	4
3	1211105	1/4-20 KEPS NUT EXT LW ZP	1
4	4721035	SCREW - #8-18 X .38-LGM	4
5	4321016	PANEL - FAN - ACCESS	1
6	1236050	SWITCH-INTERLOCK	1
7	7214082	BRACKET - CONDENSER FAN	1
8	4324038	MOTOR - 60HZ - EXT. - CAPAC - (115V)	1
	4324039	MOTOR - 50HZ - EXT. - CAPAC - (230V)	
9	4324041	BLADE - EVAPORATOR FAN	1
10	4321166	PANEL - PERFORATED	1
11	4321023	PAN - ABS - EVAPORATOR DRAIN	1
12	4321044	INSULATION-PASSTHRU-CABINET	1
13	4321089	RETAINER-CABINET-NOTCH	1
14	4321104	BRACKET - ANGLE - EVAPORATOR	1
15	4321012	PANEL - EVAPORATOR MOUNT	1
--	9989781	POWER CORD - 14AWG - DOMESTIC - (115V) (NOT SHOWN)	1
	9989576	POWER CORD - W/BSI PLUG - (230V) (NOT SHOWN)	
	9989560	POWER CORD-FOR.-AUSTR./NEW Z.	

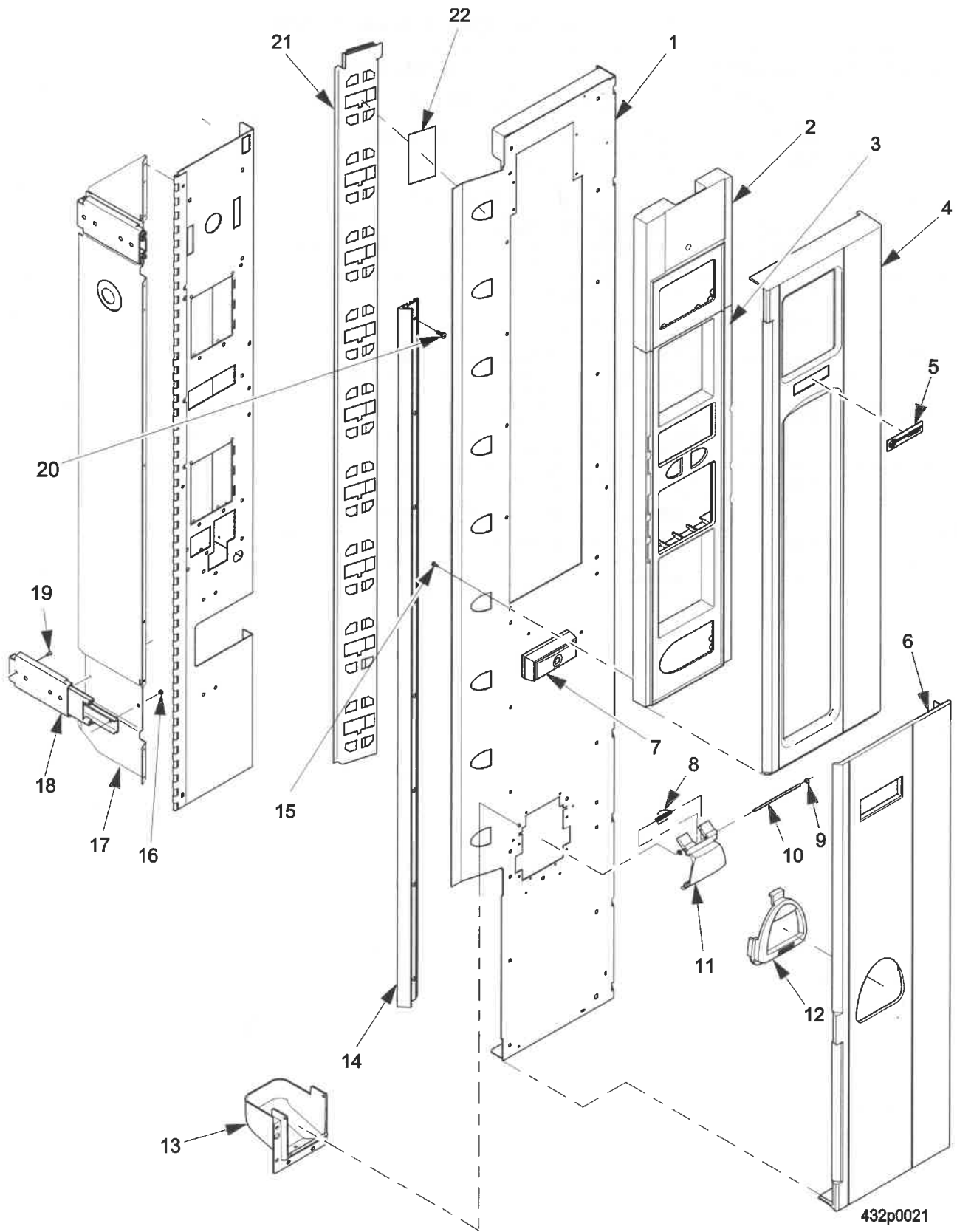


432p0022

FIGURE 27: REFRIGERATION AIR DUCTS

TABLE 27: REFRIGERATION AIR DUCTS

INDEX	PART NUMBER	DESCRIPTION	QTY
1	4321004	CAB.ASSY-INSUL.-BLK.INTERIOR	1
	4321013	CAB.ASSY-IN.SEL WHI BLK INTER	
2	4321159	GUARD - AIR DUCT	1
3	4321175	COVER - TEMPERATURE SENSOR	1
4	9985887	BUSHING-STRAIN RELIEF	1
5	9987852	PROBE-TEMP. SENSOR	1
6	4321015	STORAGE WALL	1
7	4301254	SHELF - STORAGE	3
8	4321012	PANEL - EVAPORATOR MOUNT	1
9	1236050	SWITCH - INTERLOCK	1
10	4321016	PANEL - FAN - ACCESS	1
11	4321166	PANEL - PERFORATED	1
12	4321124	DUCT - AIR - CORNER	1
13	4321171	PANEL ASSEMBLY - DISCHARGE - AIR	1
14	4321017	PANEL - AIR SUPPLY	1
15	4321020	BRACKET - ANGLE	6



432p0021

FIGURE 28: MONETARY PANEL

TABLE 28: MONETARY PANEL

INDEX	PART NUMBER	DESCRIPTION	QTY
1	4325013	WELD ASSEMBLY - ACCESS PANEL	1
2	4325083	SELECTION PANEL - TOP - MONETARY	1
3	4325052	SELECTION PANEL - BOTTOM - MONETARY	1
4	4325037	PANEL - TRIM - TOP ACCESS	1
5	4322101	PLATE - NV LOGO	1
6	4325038	PANEL - TRIM - BOTTOM - ACCESS	1
7	4322113	LOCK ASSEMBLY - "T"	1
8	4245083	SPRING - COIN RETURN DOOR	1
9	2366055	CLIP-SPEED	2
10	4325067	SHAFT - COIN RETURN GATE	1
11	4325066	GATE - COIN RETURN	1
12	4325064	BEZEL - COIN RETURN CUP	1
13	4325065	CUP - COIN RETURN	1
14	4325088	TRIM - SIDE - ACCESS PANEL - BLACK	1
15	4747171	SCREW-#6-19 X .38 PHIL.PHS-T/C	31
16	9900081	NUT #8-32 KEPS ZINC PLATE	1
17	4325152	PANEL - SIDE - MONETARY	1
18	4325153	SLIDES - MONETARY PANEL ASSEMBLY	2
19	4555155	SCREW #10-32 X .375 PHS. FHS.	8
20	5262345	01832312 #8-32X3/4 TAPTITE T/F	8
21	4325105	PRICE DISPLAY ASSEMBLY	1
22	4325070	INSERT-LENS-DISPLAY	9

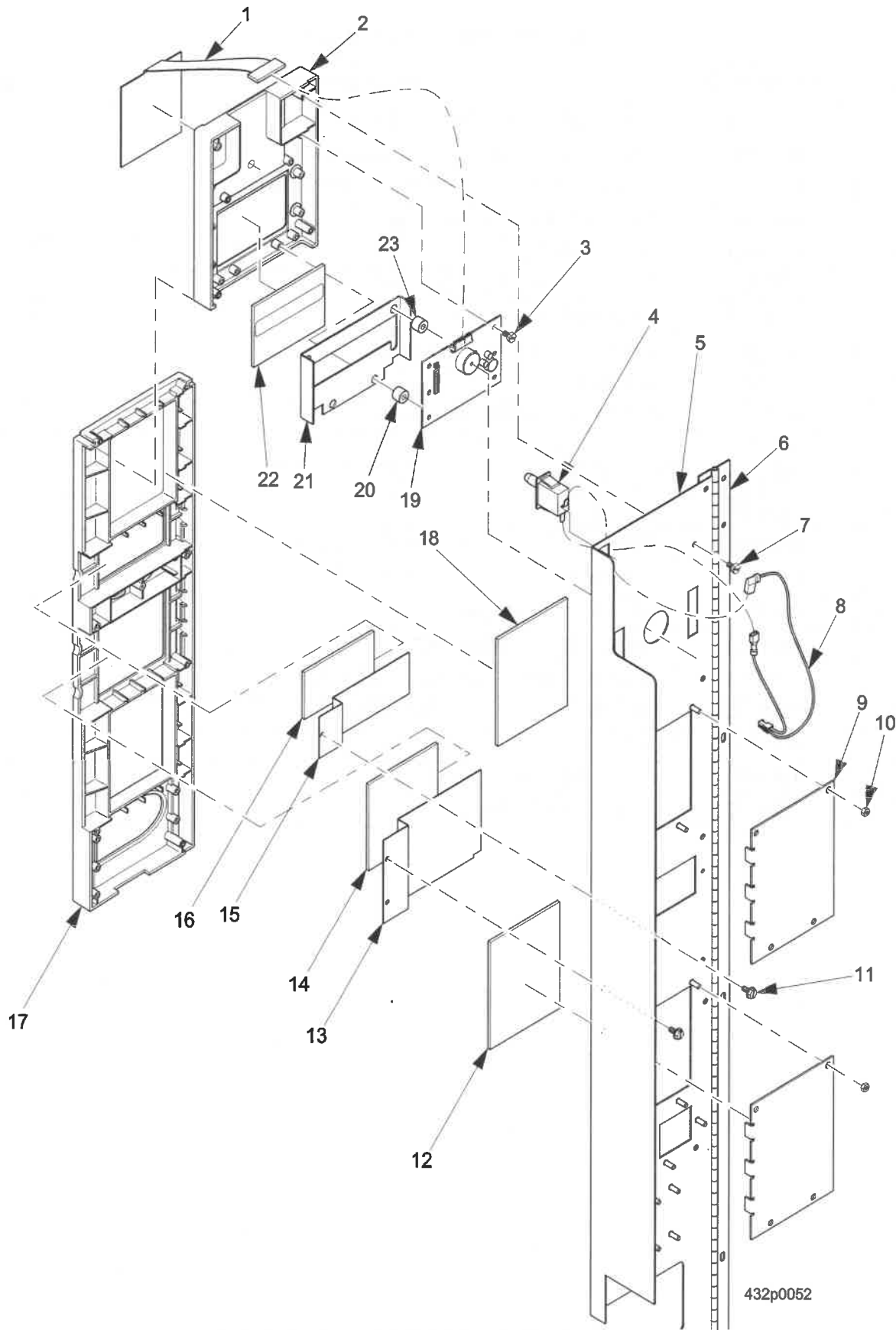


FIGURE 29: INTERIOR MONETARY PANEL

TABLE 29: INTERIOR MONETARY PANEL

INDEX	PART NUMBER	DESCRIPTION	QTY
1	6335002	SERVICE KEYPAD ASSEMBLY	1
2	4325083	SELECTION PANEL-TOP	1
3	1437204	SCREW 8-10 X .38 HEX HD TF	4
4	6111041	SWITCH SERVICE LIGHT 1DM2	1
5	4325000	WELD ASSY-MONETARY PANEL	--
6	4325004	HINGE-MONETARY PANEL (REF. ONLY)	1
7	3128092	SCREW-HILO-7-19 X 3/8 HEX WASH	10
8	1579009	JUMPER-MONETARY DOOR SWITCH	1
9	4325075	PLATE-FILLER	1
10	9900081	NUT #8-32 X .50 KEPS ZINC	8
11	1451097	SCREW-#8-32X.31 HEX HD.TF-BLK.	3
12	1575076	INSERT-INSTR-LOWER-BLANK (IF EQUIPPED)	1
13	4325091	PLATE-BACKING-LOWER-REMOVABLE	1
14	4325073	INSERT INSTR.-LOWER(DOMESTIC)	1
15	4325077	PLATE-BACKING-UPPER-REMOVABLE	1
16	4325072	INSERT INSTR.-UPPER(DOMESTIC)	1
17	4325052	SELECTION PANEL-BOTTOM	1
18	1575076	INSERT-INSTR-LOWER-BLANK (IF EQUIPPED)	1
19	4322175	PCB ASSEMBLY-DISPLAY	1
20	2302053	SPACER - CUP	2
21	4325084	RETAINER-DISPLAY LENS-NORITAKE	1
22	4325034	INSERT-DISPLAY	1
23	4325107	SPACER DISPLAY	4

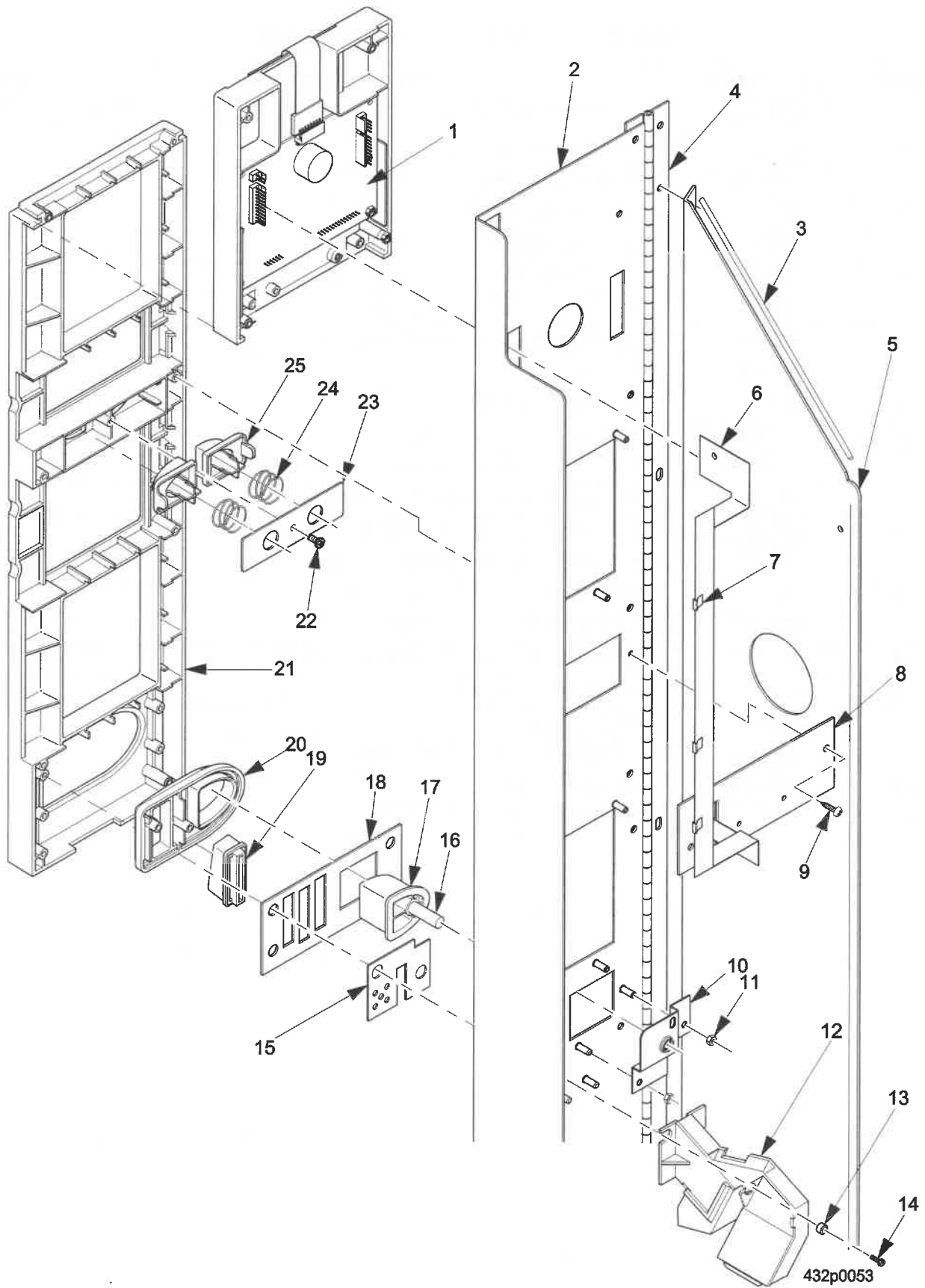
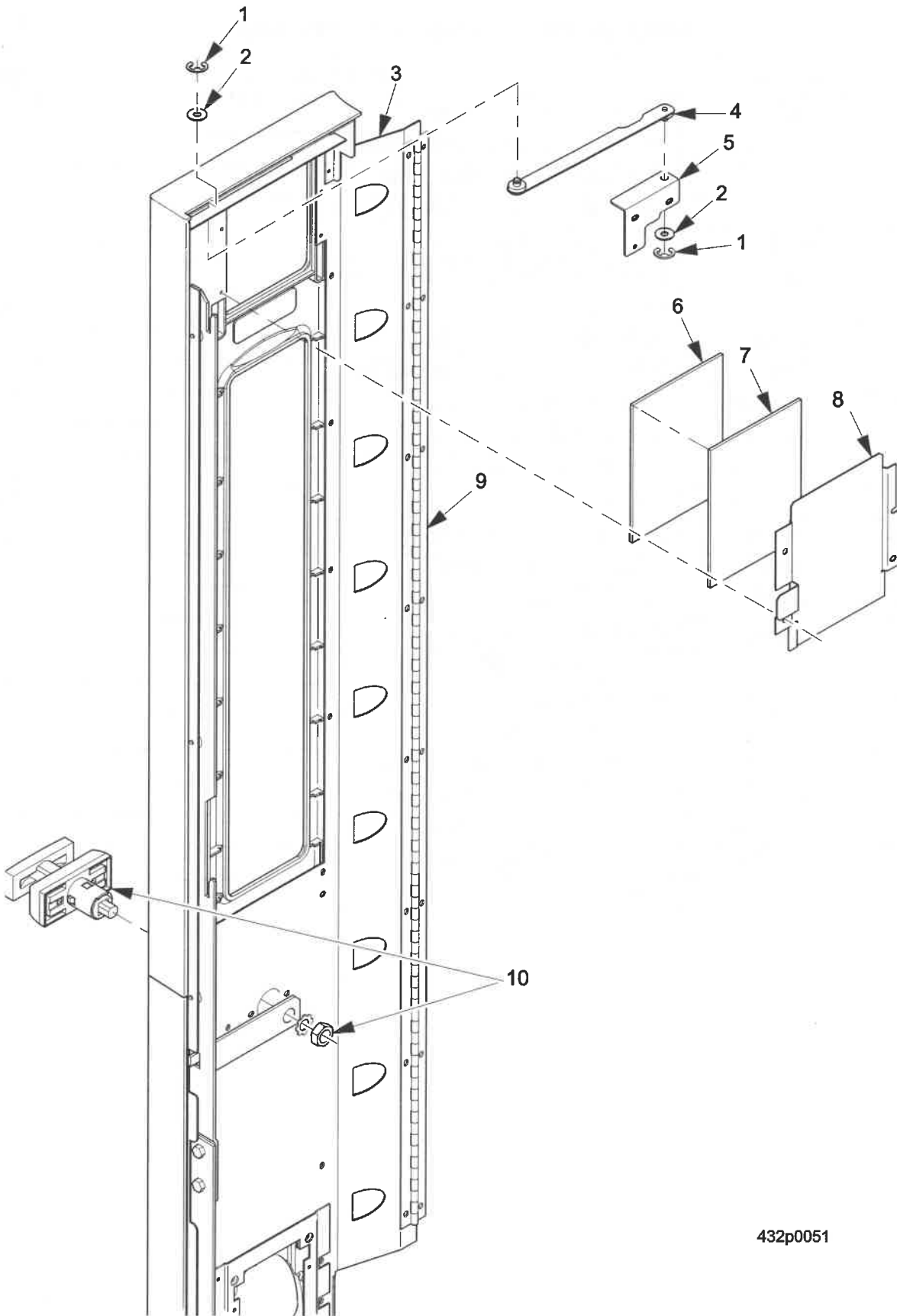


FIGURE 30: UPPER MONETARY - EXTERIOR

TABLE 30: UPPER MONETARY - EXTERIOR

INDEX	PART NUMBER	DESCRIPTION	QTY
1	4322175	PCB ASSEMBLY-DISPLAY	1
2	4325000	WELD ASSY-MONETARY PANEL	1
3	4272060	PRODUCT GUIDE EDGE TRIM	1
4	4325004	HINGE-MONETARY PANEL (REF ONLY)	1
5	4325152	PANEL-SIDE, MONETARY	1
6	4325142	SWITCH-MEMBRANE,TURRET DIRECT.	1
7	4302166	CABLE CLIP	2
8	4325071	PLATE-BACKING-MEMBRANE-SWITCH	1
9	9900160	SCREW-#8-18 X 1/2"PHIL.PAN HD.	2
10	4325050	BRACKET-COIN RETURN	1
11	9900081	NUT #8-32 KEPS ZINC PLATE	2
12	1575003	COIN CHUTE ASSEMBLY	1
13	2302053	SPACER-CUP	2
14	3153046	SCREW-HI LO #7-19 X .62 HWH	2
15	1671041	COIN BLOCK-50 CENTS	1
16	4325051	SHAFT-RETURN BUTTON	1
17	4325061	BUTTON-COIN RETURN	1
18	4325082	PANEL-BACKUP-MONETARY	1
19	4325062	INSERT-COIN	1
20	4325063	BEZEL-COIN INSERT	1
21	4325052	SEL.PANEL-BOTTOM-MONETARY	1
22	4321168	SCREW-#6-19 X .31 PHIL.PHS.T/C	1
23	4325089	RETAINER-DIRECTION-BUTTONS	1
24	1572224	SPRING-PUSH BUTTON	2
25	4325033	BUTTON-TURRET	2

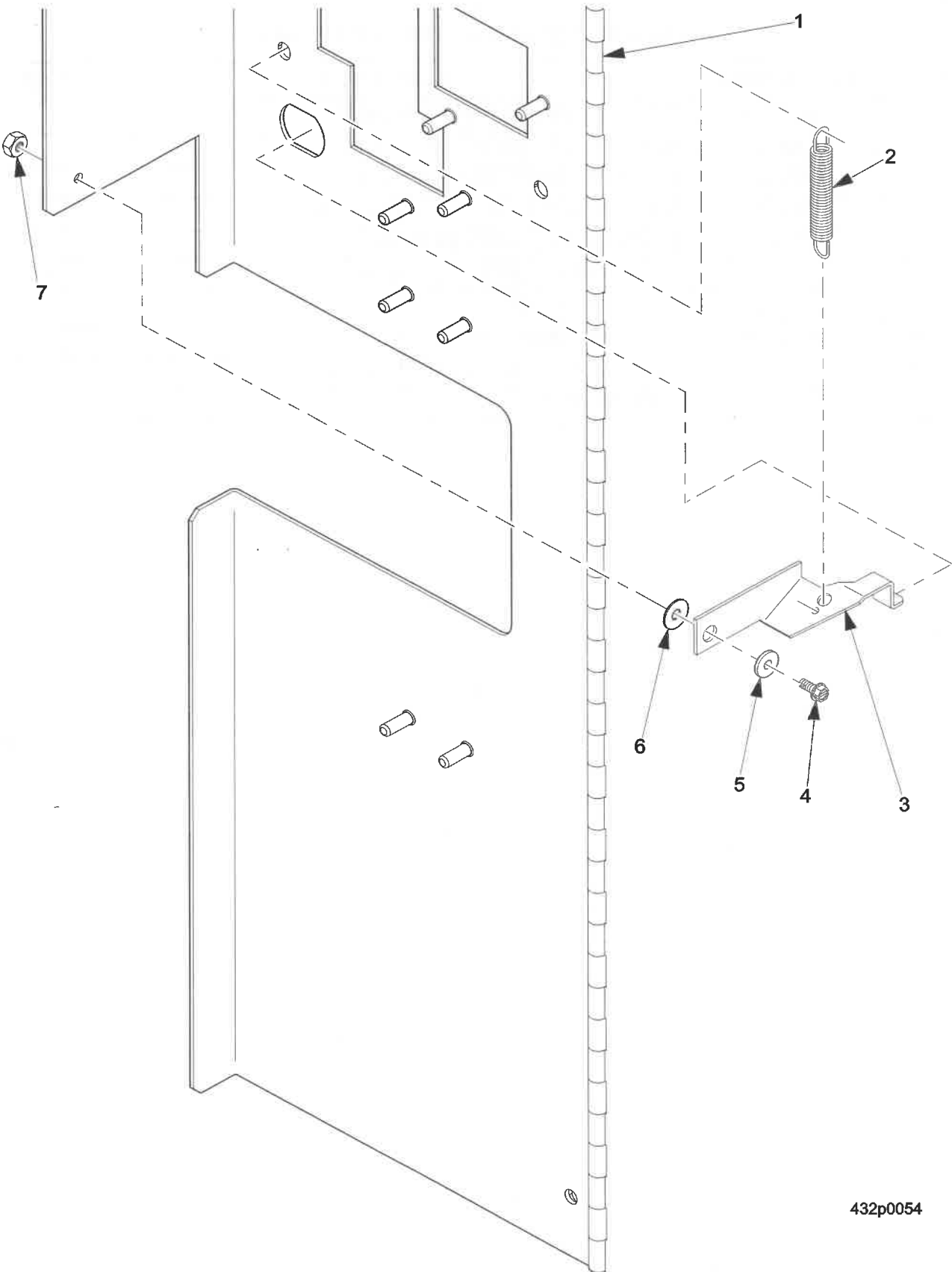


432p0051

FIGURE 31: EXTERIOR MONETARY PANEL

TABLE 31: EXTERIOR MONETARY PANEL

INDEX	PART NUMBER	DESCRIPTION	QTY
1	9900409	RETAINING RING REINF E TYP.093	1
2	6404034	WASHER - .687 O.D. X .265 I.D. X .050	1
3	4325013	WELD ASSEMBLY - ACCESS PANEL	1
4	4325058	ARM ASSEMBLY - PIVOT - ACCESS PANEL	1
5	4325057	BRACKET PIVOT ACCESS PANEL	1
6	1675006	INSERT-INSTR.-UPPER-SUREVEND	1
7	4325124	LENS-UPPER POP	1
8	4325126	PLATE - BACKUP - UPPER TOP	1
9	4325004	HINGE-MONETARY PANEL(REF ONLY)	1
10	4322113	LOCK ASSY-"T"	1



432p0054

FIGURE 32: INTERIOR MONETARY LATCH ARM ASSEMBLY

TABLE 32: INTERIOR MONETARY LATCH ARM ASSEMBLY

INDEX	PART NUMBER	DESCRIPTION	QTY
1	4325000	WELD ASSY-MONETARY PANEL	--
2	1127808	SPRING-SHELF RESET	1
3	4325130	ARM-LATCH-MONETARY	1
4	4741050	SCREW-#8-32 X .50 HX.HD.-T/F-B	1
5	2228011	SPACER-RELEASE ARM	1
6	2204093	WASHER-SCAVENGER BAR	1
7	9900081	NUT #8-32 KEPS ZINC PLATE	1

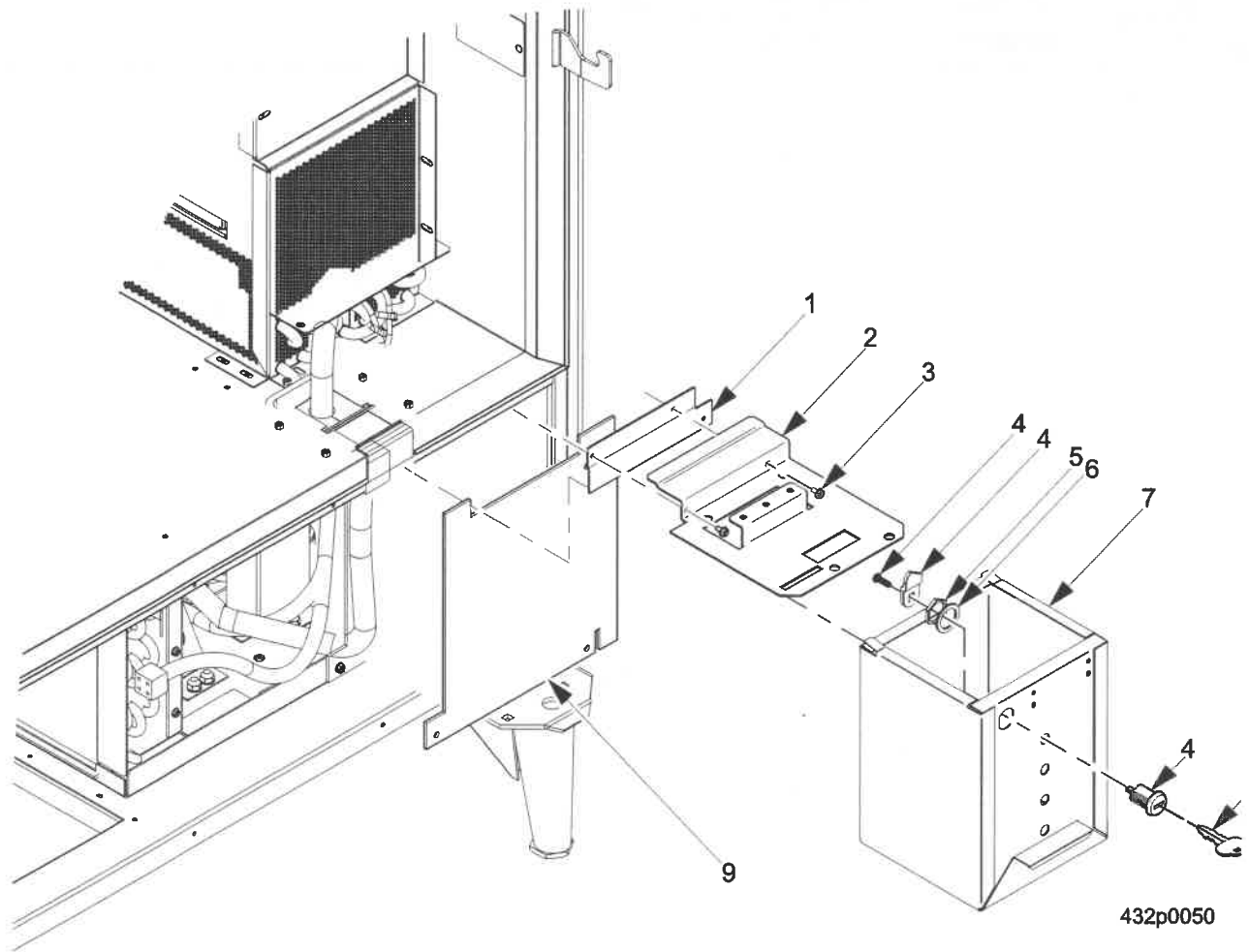


FIGURE 33: COIN BOX ASSY

TABLE 33: COIN BOX ASSEMBLY

INDEX	PART NUMBER	DESCRIPTION	QTY
1	4321158	BRACKET-CARDBOARD-MOUNT	1
2	4321118	MOUNT-COIN BOX	1
--	1470761	MONEY BOX LOCK (ITEMS 4-6, 9)	--
3	1451097	SCREW-#8-32X.31 HEX HD.TF-	5
4	1101906	MONEY BOX LOCK- #1801, KA NV 407	1
5	2222603	NUT-LOCK RETAINING	1
6	2222604	WASHER-LOCK BARREL #2693	1
7	4321123	COIN BOX ASSEMBLY-WELDED	1
8	2221920	KEY-CHICAGO LK-#1801 NV407, KB	1
9	4324040	PLASTIC CARDBOARD AIR BLOCK	1

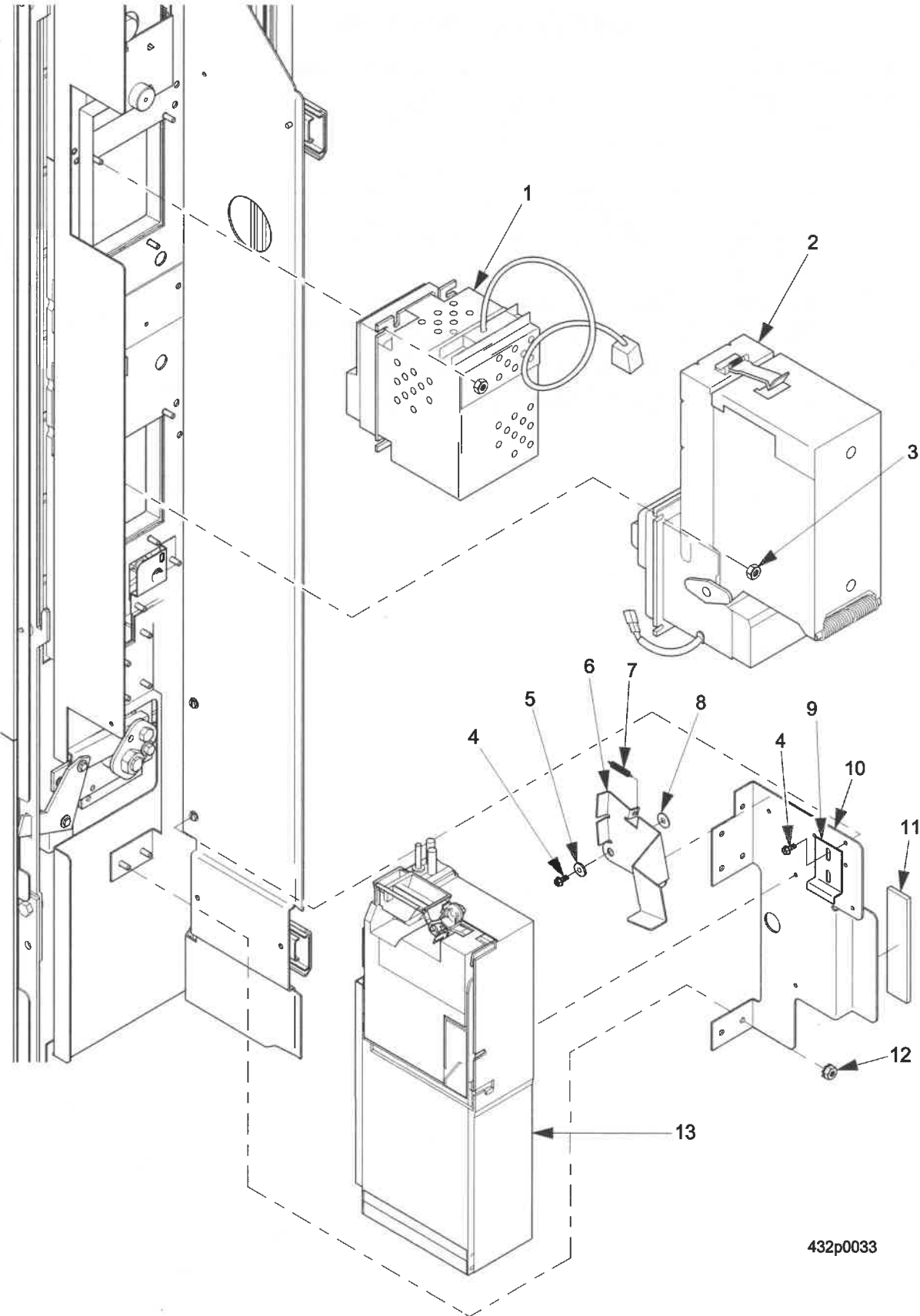


FIGURE 34: MONETARY OPTIONS & INTERIOR MONETARY PANEL

TABLE 34: MONETARY OPTIONS & INTERIOR MONETARY PANEL

INDEX	PART NUMBER	DESCRIPTION	QTY
1	--	CARD READER	OPT
2	5900303	VALIDATOR - COINCO BP4SX	1
	5900210	VALIDATOR MARS - VN2512 - U5M/500	
	5900247	VALIDATOR MARS AE2612 - U5M **MDB** SS 4	
3	9900081	NUT #8-32 KEPS ZINC PLATE	8
4	9900106	SCREW #8-32 X 3/8 ACORN HEX HD	6
5	2228011	SPACER-RELEASE ARM	1
6	1571113	ARM-SCAVENGER	1
7	1127808	SPRING-SHELF RESET	1
8	2204093	WASHER-SCAVENGER BAR	1
9	6231037	CLAMP-CABLE	1
10	4325005	BRACKET-COIN MECH.	1
11	3122056	MAGNET-RETAINR-COIN CHANGER KB	1
12	9900081	NUT #8-32 KEPS ZINC PLATE	14
13	5900213	COIN UNIT - COINCO - 9302GX MDB	1
	5900313	COINCO VORTEX - 3 TUBE	
	5900269	COINCO USQ - G701 - MDB - 4 TUBE	
	5900270	COINCO USQ - G702 MDB - 4 TUBE	
	5900299	COINCO USQ - G712 MDB - 4 TUBE	
	5900243	COIN UNIT - TRC6512, 1195500, CNSN	
	5900311	MARS CASH FLOW7512,5,5,10,25,\$	
	5900312	MARS CASH FLOW7512,5,10,25,\$,\$	
	5900310	MARS CASH FLOW7512,5,5,10,25,25	
5900307	MARS CASH FLOW7512,1N,1D,2Q,1\$		

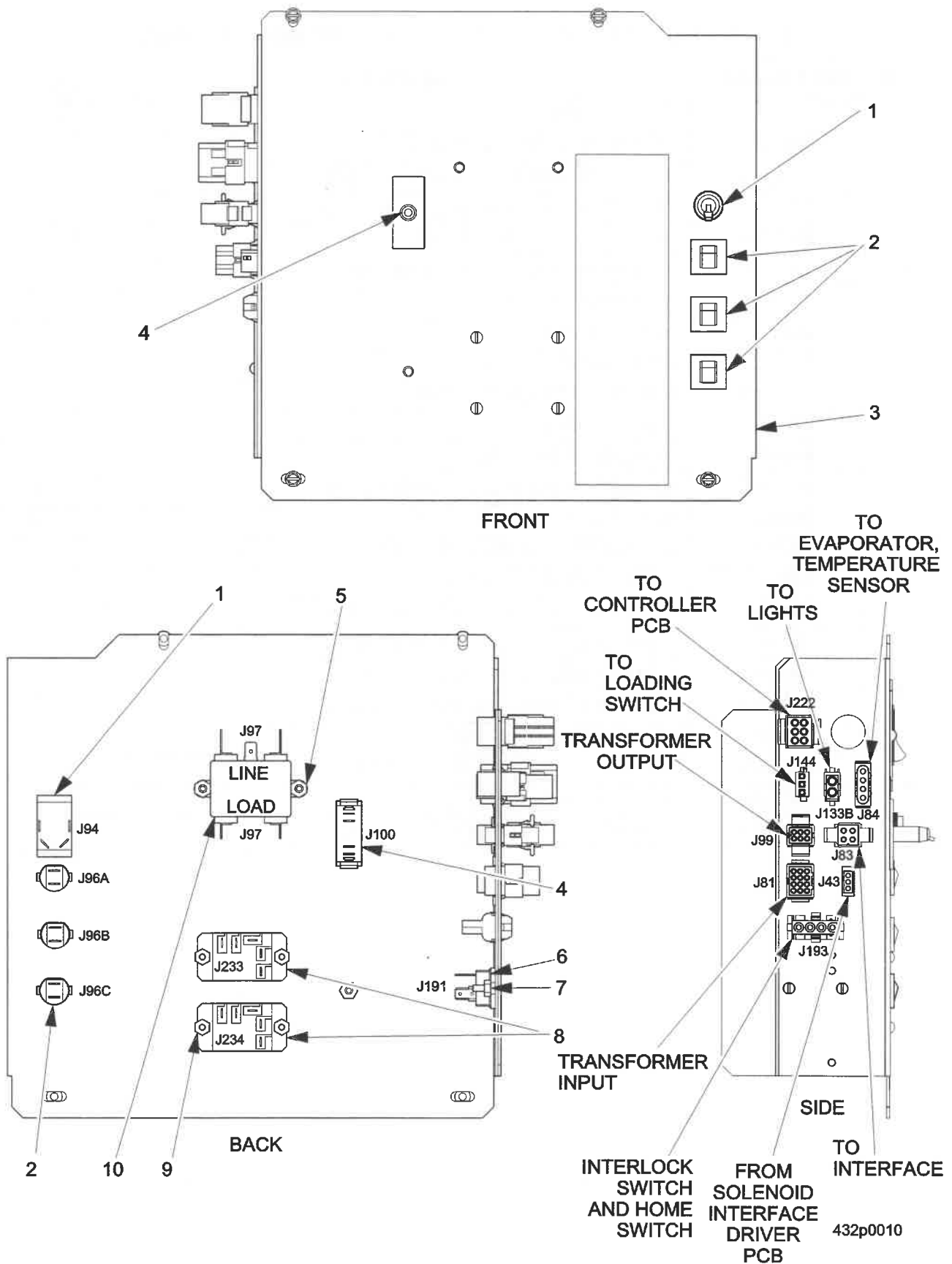
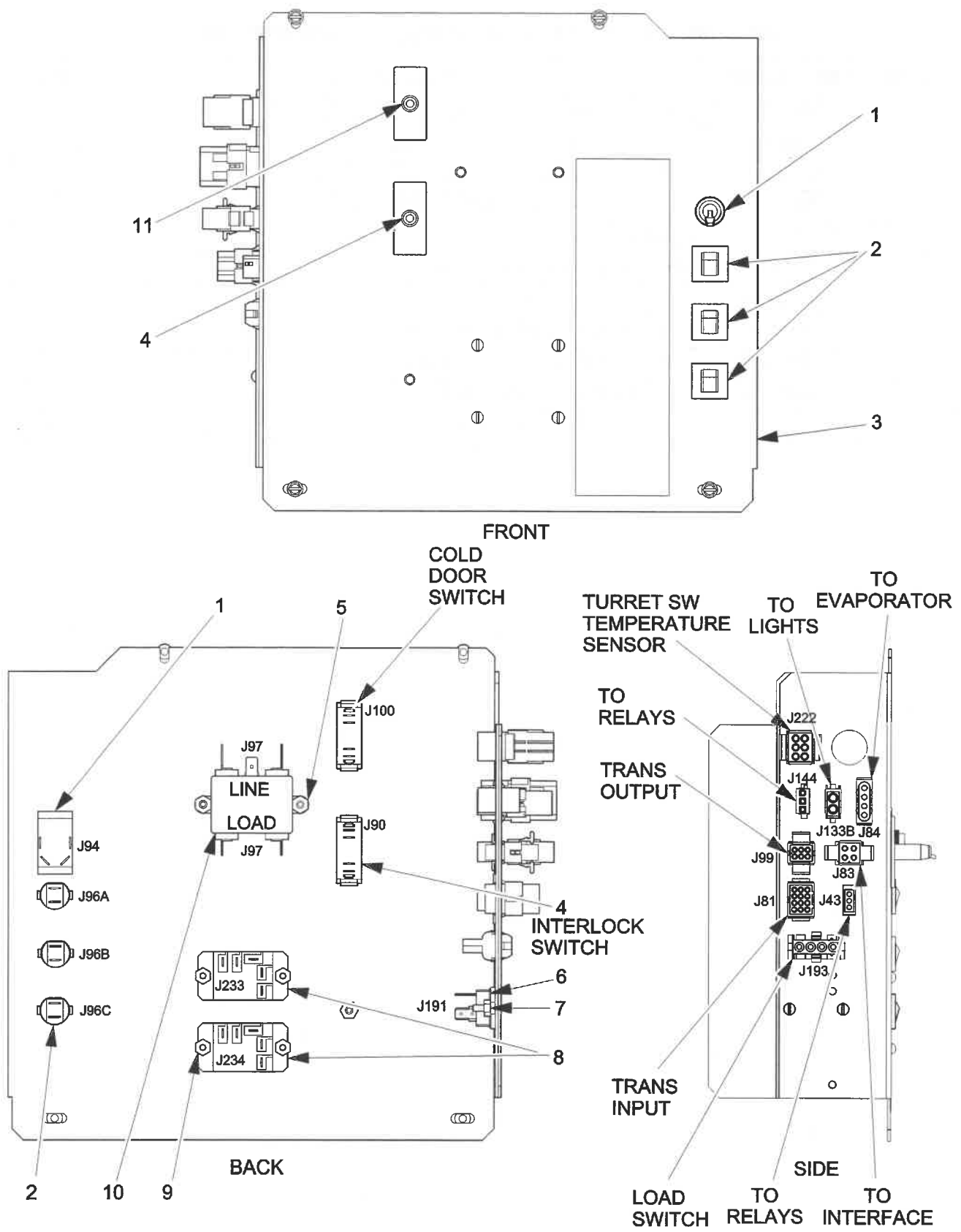


FIGURE 35: POWER PANEL ASSEMBLY - DOMESTIC (115V)

TABLE 35: POWER PANEL ASSEMBLY - DOMESTIC (115V)

INDEX	PART NUMBER	DESCRIPTION	QTY
--	4321167	POWER PANEL ASSEMBLY - DOMESTIC	--
1	9984629	SWITCH - TOGGLE - DPST - 20AMP	1
2	9989674	CIRCUIT BREAKER - 4 AMP	3
3	4321131	PANEL - POWER - FRONT - DOMESTIC	1
4	1211141	SWITCH	1
5	9900081	NUT #8-32 KEPS ZINC PLATE	2
6	9983778	TRIAC - 35A - 600V	1
7	1211109	6-32X9/16 PHS MACH SCR ZP	6
8	9989677	RELAY - SPDT 24VDC - PANEL MOUNT	2
9	9900078	NUT #6-32 KEPS ZINC PLATE	6
10	9989100	INTERFERENCE FILTER	1



432p0039

FIGURE 36: POWER PANEL ASSEMBLY - INTERNATIONAL (230V)

TABLE 36: POWER PANEL ASSEMBLY - INTERNATIONAL (230V)

INDEX	PART NUMBER	DESCRIPTION	QTY
--	4321178	POWER PANEL ASSEMBLY - FRONT - INTERNATIONAL (230V)	--
1	9984629	SWITCH - TOGGLE - DPST - 20AMP	1
2	9989674	CIRCUIT BREAKER - 4 AMP	3
3	4321194	POWER PANEL FRONT INTERNATIONAL(230V)	1
4	2366135	SWITCH - INTERLOCK	1
5	9900081	NUT #8-32 KEPS ZINC PLATE	2
6	9983778	TRIAC - 35A - 600V	1
7	1211109	6-32X9/16 PHS MACH SCR ZP	6
8	9989677	RELAY - SPDT 24VDC - PANEL MOUNT	2
9	9900078	NUT #6-32 KEPS ZINC PLATE	6
10	9989100	INTERFERENCE FILTER	1
11	1211141	SWITCH	1

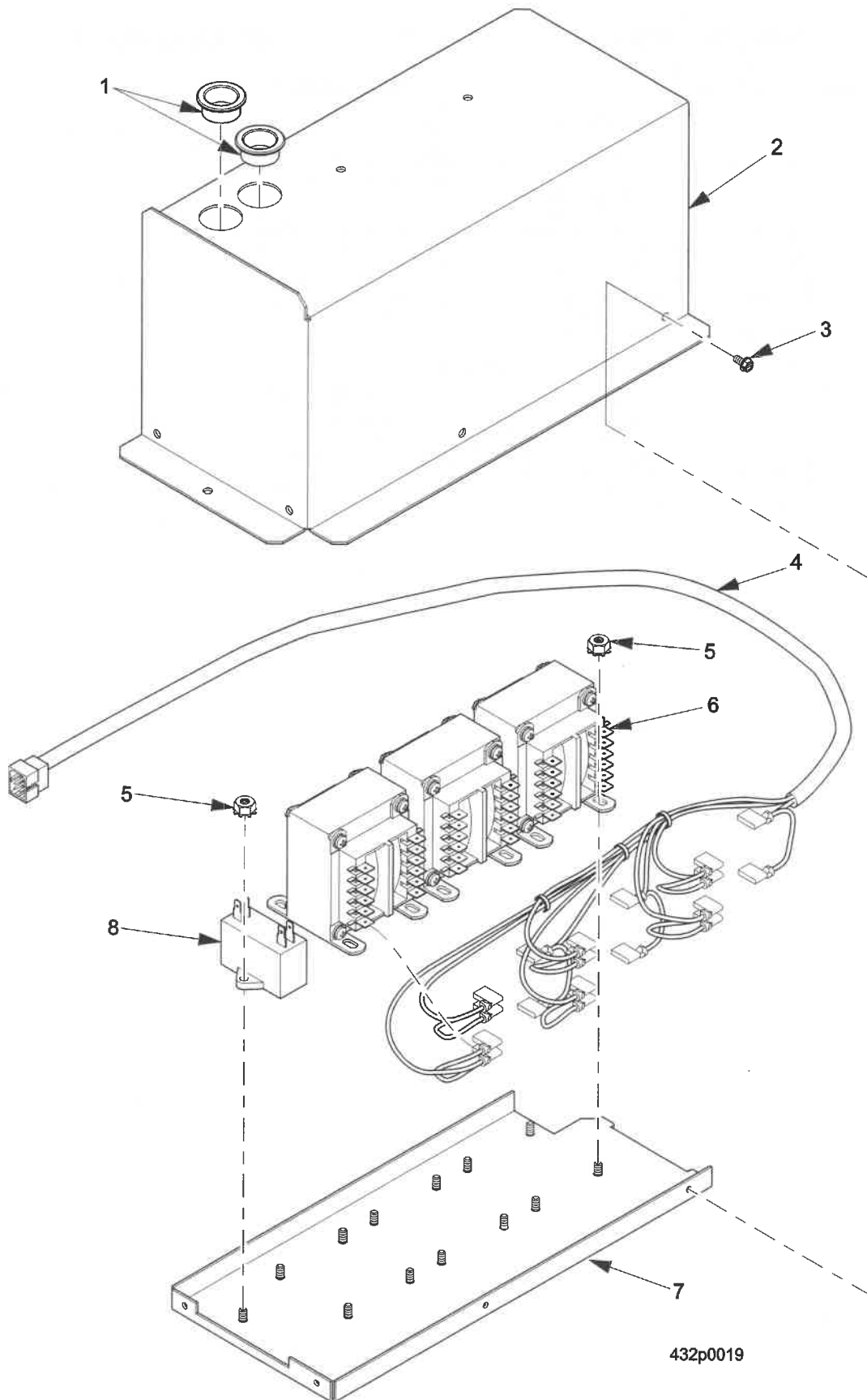


FIGURE 37: POWER PANEL ASSEMBLY - REAR - DOMESTIC - (115V)

TABLE 37: POWER PANEL ASSEMBLY - REAR - DOMESTIC (115V)

INDEX	PART NUMBER	DESCRIPTION	QTY
--	4321078	POWER PANEL ASSEMBLY - REAR	--
1	3106155	BUSHING #SB1000-12	2
2	4321129	COVER - CONTROL - POWER - REAR	1
3	1451097	SCREW - #8-32X.31 HEX HD.TF - BL	4
4	4329005	HARNESS - TRANSFORMERS	1
5	9900081	NUT #8-32 KEPS ZINC PLATE	13
6	9989046	24V XFMR - DUAL PIR.-.187 TERM	3
7	4321130	PANEL - CONTROL - POWER	1
8	9988210	CAPACITOR - MOTOR RUN - 10UF	1

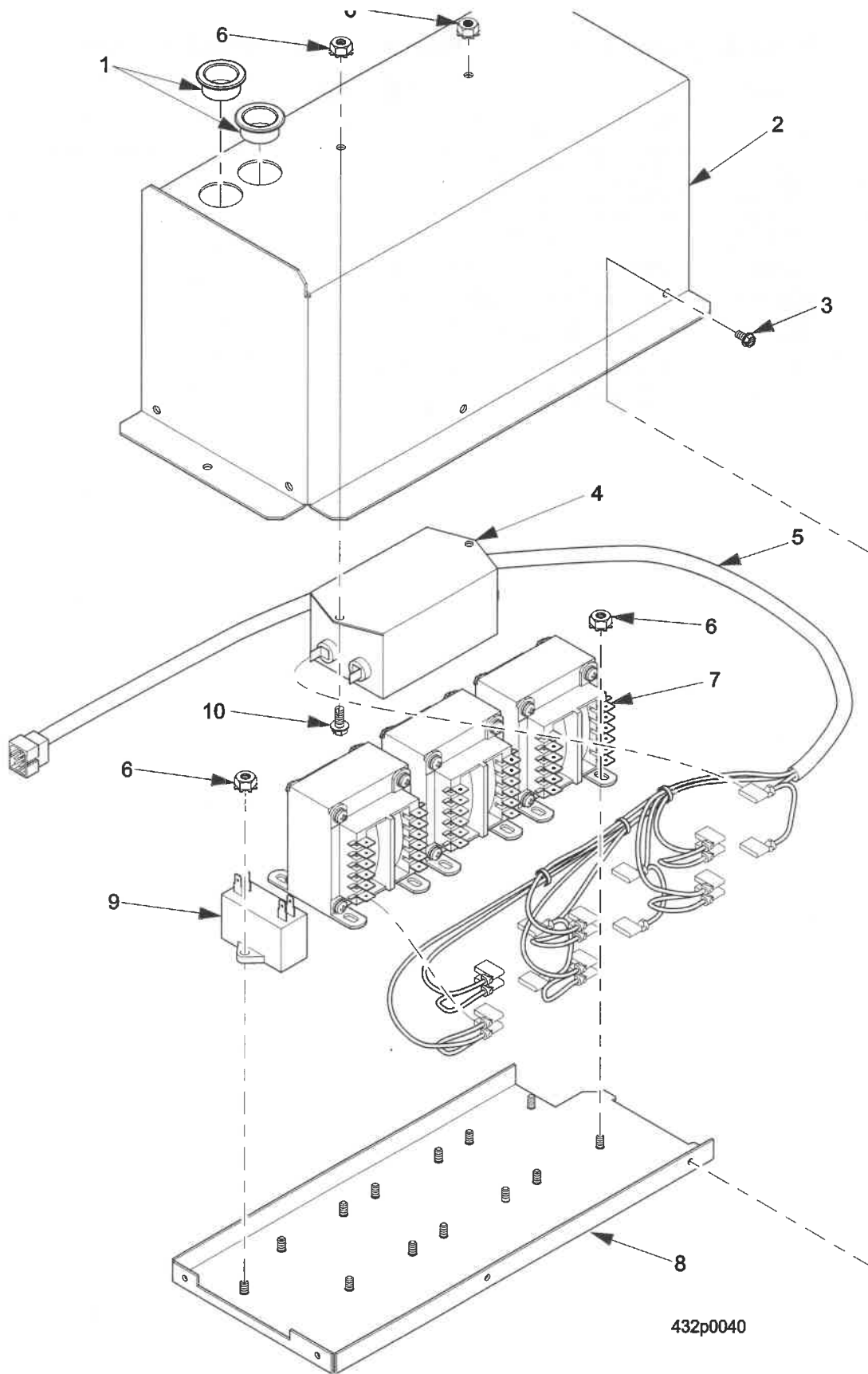


FIGURE 38: POWER PANEL ASSEMBLY - REAR - INTERNATIONAL - (230V)

TABLE 38: POWER PANEL ASSEMBLY - REAR - INTERNATIONAL (230V)

INDEX	PART NUMBER	DESCRIPTION	QTY
--	4321176	POWER PANEL ASSEMBLY - REAR	--
1	3106155	BUSHING #SB1000-12	2
2	4321129	COVER - CONTROL - POWER - REAR	1
3	1451097	SCREW - #8-32X.31 HEX HD.TF-BL	4
4	9989120	FILTER-POWER LINE-EMI	1
5	4329005	HARNESS - TRANSFORMERS	1
6	9900081	NUT #8-32 KEPS ZINC PLATE	15
7	9989046	24V XFMR - DUAL PIR. - .187 TERM	3
8	4321130	PANEL - CONTROL - POWER	1
9	9988211	CAPACITOR - MOTOR RUN - 2.5UF	1
10	9900019	SCREW - #8-32 X 3/8 RHS	2

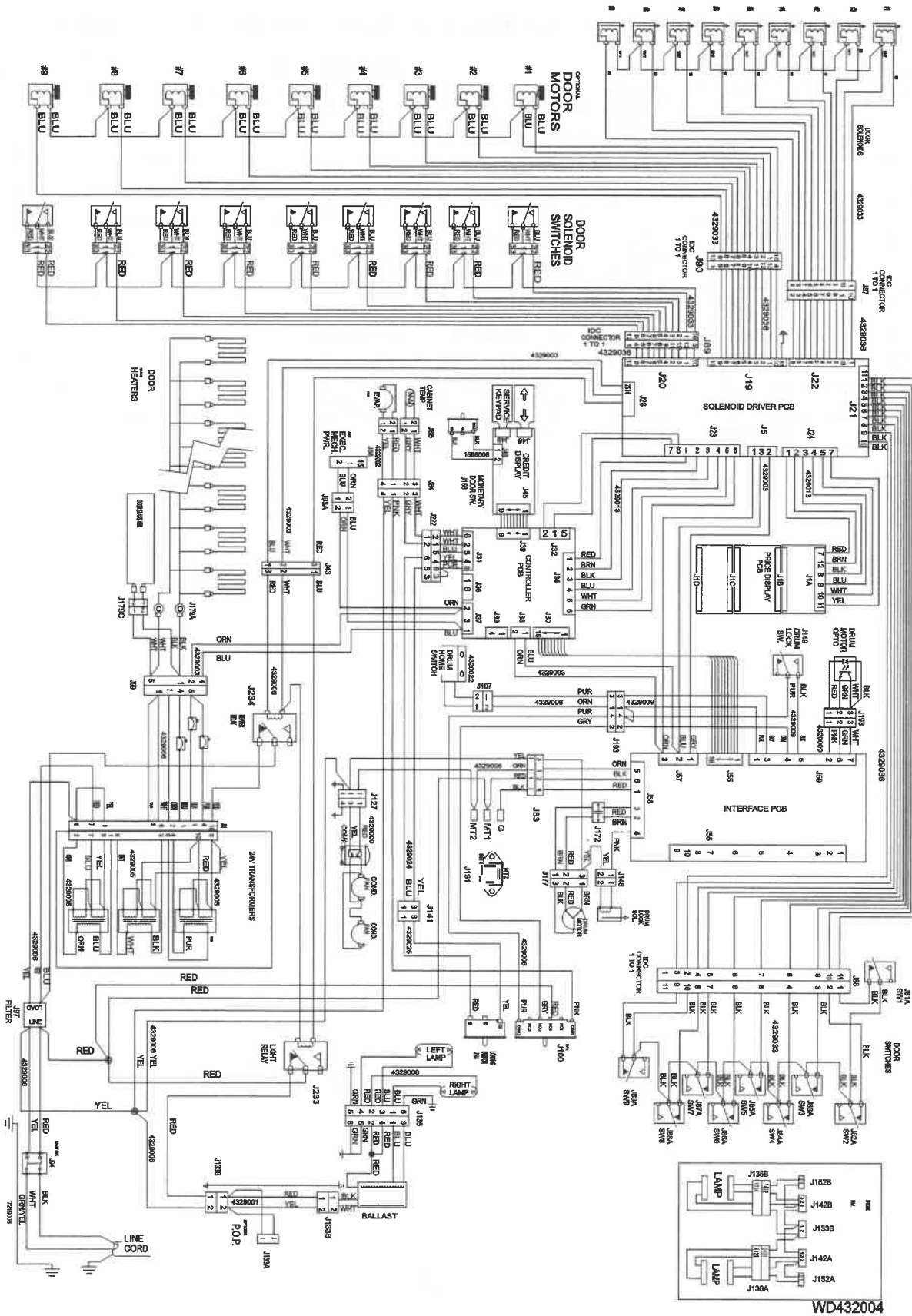


FIGURE 39: SHOPPER WIRING DIAGRAM - DOMESTIC - (115V)

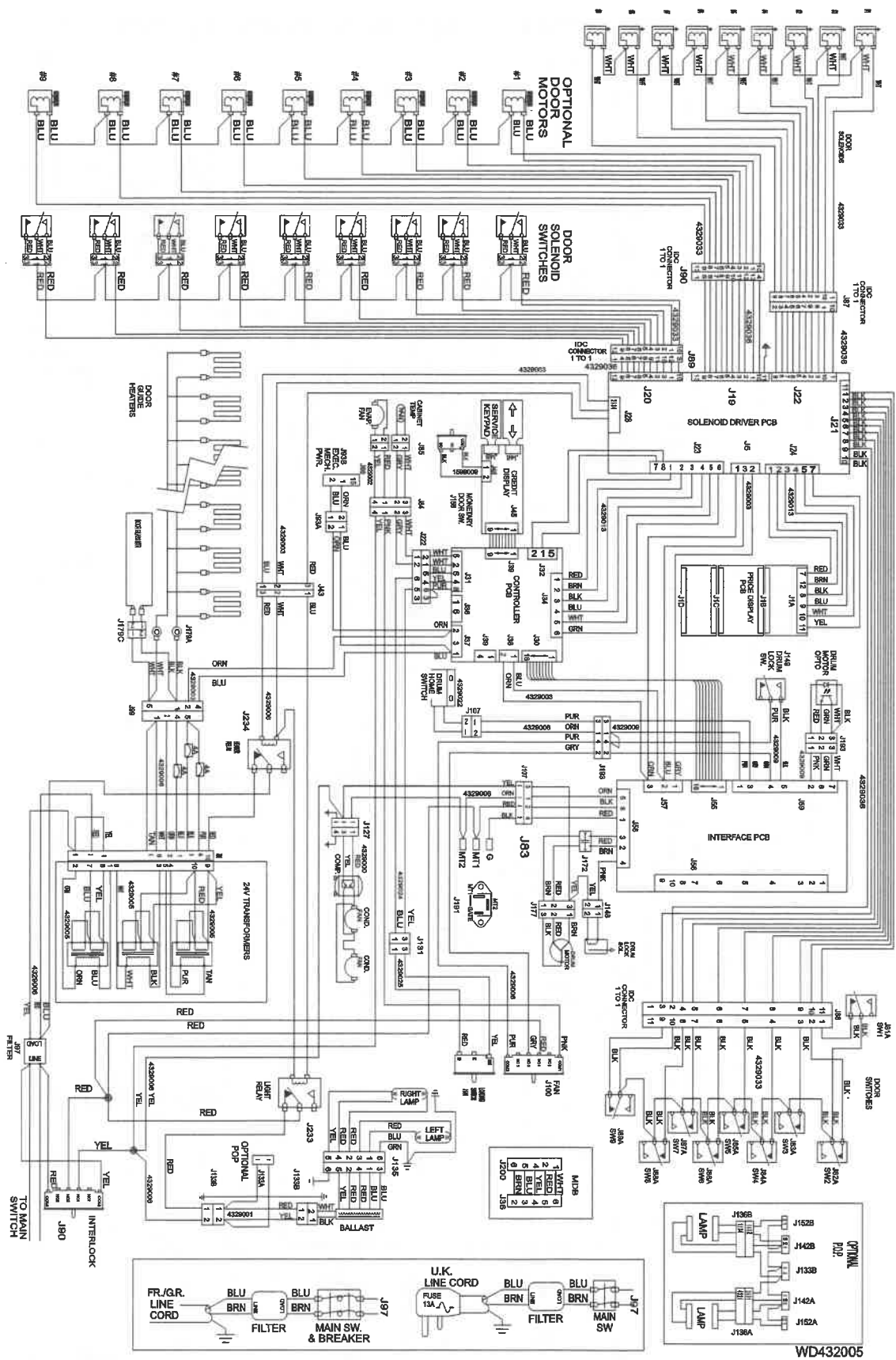


FIGURE 40: SHOPPER WIRING DIAGRAM - INTERNATIONAL - (230V)

WD4329006 - HARNESS - POWER PANEL

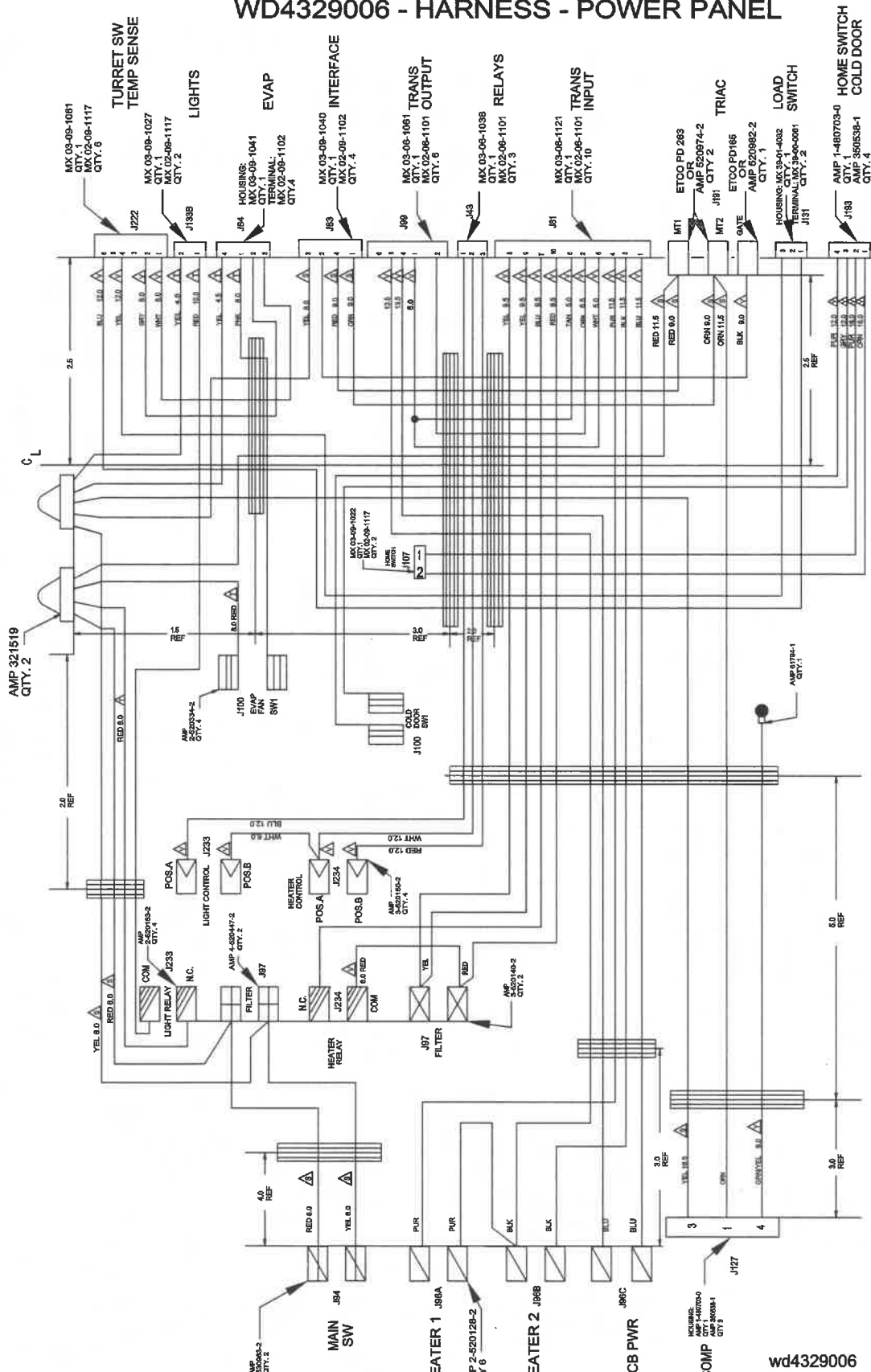


FIGURE 41: HARNESS DIAGRAM - POWER PANEL

wd4329006

TABLE 39: 432 HARNESS LIST

PART NUMBER	DESCRIPTION
1579009	JUMPER - MONETARY DOOR SWITCH
1579018	HARNESS - DATA PRINTER INTERFACE
1599200	HARNESS - CONTROL TO DISPLAY
1679005	FLUORESCENT LIGHT FILTER - 120/230V
1679054	HARNESS - "MDB" COIN & VALIDATOR
1679056	HARNESS - DEX INTERFACE
4279001	JUMPER - 230V - XFMR PRIMARY
4329000	HARNESS - COMPRESSOR
4329001	HARNESS - LAMP TO POWER PANEL
4329003	HARNESS - POWER PANEL TO PCB
4329005	HARNESS - TRANSFORMERS
4329006	HARNESS - POWER PANEL
4329008	HARNESS - LAMP TO BALLAST
4329009	HARNESS - CABINET DC
4329010	HARNESS - POP - BALLAST (NOT SHOWN)
4329012	HARNESS - DOOR AC
4329013	HARNESS - PRICE DISPLAY
4329015	HARNESS - POWER PANEL - 230V
4329018	HARNESS - 24V TEMP & SWITCH
4329019	HARNESS - POP LAMP
4329024	JUMPER - TURRET SWITCH
4329025	HARNESS - TURRET SWITCH
4329032	CABLE ASSEMBLY - 16 CONDUCTOR
4329033	HARNESS - VEND DOOR
4329035	JUMPER SWITCH & SOLENOID
7219018	HARNESS - POWER CORD TO PANEL

TABLE 40: BAG ASSEMBLY: 15 - B4320000 (115V)

PART NUMBER	DESCRIPTION	QTY
WD432002	WIRING DIAGRAM - 432 SHOPPER - (115V)	1
1470041	PLASTIC BAG	1
1475094	LABEL - INSTRUCTIONS - ALT \$1 & \$5 - EXT	1
4320003	OPERATORS GUIDE - SHOPPERTRON	1
4322193	SCREW-#6-19 X .31 TMPR.PRF EA	4
4322194	TORX T-15 TAMPER - PROOF SCREWDRIVER BIT	1
4329011	LIST - WIRE HARNESSSES	1
4322226	STOP - VEND-DOOR	4

TABLE 41: BAG ASSEMBLY: 15 - B4320001 (230V)

PART NUMBER	DESCRIPTION	QTY
WD432003	W.D. - 432 SHOPPER - (230V)	1
1470041	PLASTIC BAG	1
1475094	LABEL - INSTRUCTIONS - ALT \$1 & \$5 - EXT	1
4320003	OPERATORS GUIDE - SHOPPERTRON	1
4322193	SCREW-#6-19 X .31 TMPR.PRF EA	4
4322194	TORX T-15 TAMPER - PROOF SCREWDRIVER BIT	1
4329011	LIST - WIRE HARNESSSES	1
4322226	STOP - VEND-DOOR	4

Shopper Parts Manual

Part Number Index

Part Number	Page	Part Number	Page	Part Number	Page
1101906	67	3128092	59	4321004	55
1127808	65, 69	3151058	11	4321012	53, 55
1141043	53	3153046	61	4321013	55
1141046	27	3157060	9, 45	4321015	55
1141054	29	3502078	27	4321016	53, 55
1211104	29	3502097	11	4321017	55
1211105	29, 49, 51, 53	4031248	9	4321020	55
1211109	71, 73	4241165	13	4321023	53
1211141	71, 73	4242145	5	4321044	53
1212140	41	4244009	47	4321061	53
1236050	53, 55	4245083	57	4321063	7
1437204	27, 59	4271062	11, 43	4321078	75
1451097	3, 7, 9, 11, 13, 27, 29, 37, 39, 41, 43, 45, 59, 67, 75, 77	4271080	51	4321084	33
1452139	9, 43	4272060	61	4321085	33
1470041	82	4274000	47, 49, 51	4321089	53
1470761	67	4279001	81	4321104	53
1471098	33	4301039	33	4321106	41, 43
1471199	13	4301045	33	4321107	43
1471237	33	4301254	55	4321114	41, 43
1472132	15, 17, 19, 21, 23, 25	4301285	7	4321116	43
1475094	82	4301353	41	4321118	67
1571113	69	4301364	45	4321123	67
1571161	35	4301375	41, 43, 45	4321124	55
1572224	61	4301394	41	4321129	75, 77
1572242	7, 13, 15, 17, 19, 21, 23, 27, 31	4301395	41	4321130	75, 77
1572397	29	4302039	27	4321131	71
1572450	27	4302166	61	4321150	33
1575003	61	4302191	7	4321156	33
1575076	59	4302316	45	4321158	67
1579009	59, 81	4304076	47	4321159	55
1579018	81	4304092	47, 51	4321166	53, 55
1599200	81	4304236	49	4321167	71
1671041	61	4307024	29, 41	4321168	15, 17, 21, 23, 61
1675006	63	4307029	41	4321171	55
1679005	11, 81	4307032	39	4321172	53
1679054	81	4311068	33	4321173	53
1679056	81	4311071	35	4321175	55
2204093	43, 65, 69	4311076	45	4321176	77
2204513	47	4311082	45	4321178	73
2221049	7	4311096	7	4321185	41, 45
2221920	67	4311190	35	4321186	45
2222095	11	4311225	37, 39	4321191	43
2222603	67	4311237	41	4321192	43
2222604	67	4311252	45	4321194	73
2228011	65, 69	4311253	45	4321198	43
2302053	59, 61	4312213	7	4321199	43
2342315	9, 11	4312215	3, 7	4321201	41, 43
2366055	7, 15, 17, 57	4312216	45	4321207	43
2366135	73	4312217	41, 43	4322002	7
3106155	75, 77	4314055	47, 49, 51	4322003	7
3122056	69	4319008	11	4322005	5
		4320003	82	4322007	5
		4321001	41	4322010	5
		4321002	41, 43	4322013	7, 15, 17

Part Number Index

Shopper Parts Manual

Part Number	Page	Part Number	Page	Part Number	Page
4322034	7	4322194	82	4325070	57
4322035	27	4322196	15, 17	4325071	61
4322051	15, 17, 19, 21, 23	4322197	17	4325072	59
4322056	27	4322198	7, 15, 17	4325073	59
4322059	7	4322214	15, 17, 19	4325075	59
4322065	9	4322218	9	4325077	59
4322066	9	4322224	25	4325082	61
4322067	3	4322225	25	4325083	57, 59
4322070	3	4322226	17, 19, 23, 82	4325084	59
4322071	3	4322232	9	4325088	3, 57
4322072	11	4322233	27	4325089	61
4322074	3	4322235	15, 17	4325091	59
4322075	7	4322241	3	4325105	57
4322076	7	4324000	47, 51	4325107	59
4322081	7	4324001	47, 51	4325117	29
4322087	3	4324003	47, 49	4325118	29
4322090	31	4324004	47, 49, 51	4325121	29
4322091	7	4324009	51	4325122	29
4322100	17, 23	4324010	51	4325124	63
4322101	3, 57	4324012	49, 51	4325125	27
4322102	3	4324013	49, 51	4325126	63
4322106	9	4324014	47, 49	4325130	65
4322107	9	4324016	49	4325131	27
4322113	3, 29, 57, 63	4324022	49	4325132	13
4322114	3	4324023	49	4325133	13
4322116	21, 23	4324027	47	4325142	61
4322128	27	4324029	49	4325144	29
4322130	25	4324030	47	4325145	29
4322133	15, 17, 19, 21, 23	4324037	51	4325146	29
4322136	15, 17, 19, 21, 23	4324038	53	4325151	29
4322137	7	4324039	53	4325152	57, 61
4322138	15, 17, 19	4324040	67	4325153	57
4322141	25	4324041	53	4326000	15, 17, 19, 21, 23
4322145	5	4325000	59, 61, 65	4326005	13
4322147	31	4325004	59, 61, 63	4326007	7
4322148	21, 23	4325005	69	4326009	31
4322152	7	4325013	3, 29, 57, 63	4326015	13
4322155	25	4325033	61	4326016	13
4322156	9	4325034	59	4327001	37, 41
4322157	9	4325037	3, 57	4327002	39
4322158	15, 17, 19, 21, 23, 25	4325038	3, 57	4327007	39
4322160	15	4325050	61	4327010	37
4322161	21	4325051	61	4327014	41
4322162	17	4325052	57, 59, 61	4327019	27
4322163	23	4325057	13, 63	4327020	41
4322164	19	4325058	13, 63	4327023	37
4322166	11	4325061	61	4327024	37
4322169	9	4325062	61	4327025	37
4322171	9	4325063	61	4327026	37
4322172	9	4325064	3, 57	4327031	39
4322175	59, 61	4325065	57	4327032	37
4322179	11	4325066	57	4327034	41, 43
4322182	11	4325067	57	4327037	45
4322193	17, 19, 23, 82	4325068	27	4327039	39

Shopper Parts Manual

Part Number Index

Part Number	Page	Part Number	Page	Part Number	Page
4327040	39	4552121	7	9900019	77
4327041	37, 39	4552122	7	9900065	25
4327042	39	4552371	3	9900078	45, 71, 73
4327043	39	4555155	57	9900081	27, 43, 49, 57, 59, 61, 65, 69, 71, 73, 75, 77
4327044	39	4721035	49, 53	9900092	39
4327045	39	4727069	7	9900098	35
4327047	37	4741050	29, 65	9900106	69
4327048	39	4747171	3, 7, 9, 57	9900107	45
4327052	41	4774122	47, 51	9900160	43, 61
4327053	45	5004473	43	9900164	45
4327054	45	5262345	57	9900177	45
4327055	45	5277437	41	9900205	43
4327059	37	5900210	69	9900218	33
4327061	37	5900213	69	9900219	9
4327062	45	5900243	69	9900409	63
4327063	45	5900247	69	9900425	13, 29
4327064	45	5900269	69	9900437	41, 43
4329000	81	5900270	69	9983778	71, 73
4329001	11, 81	5900299	69	9984095	45
4329003	81	5900303	69	9984629	71, 73
4329005	75, 77, 81	5900307	69	9984634	25, 45
4329006	81	5900310	69	9985887	55
4329008	9, 81	5900311	69	9987852	55
4329009	81	5900312	69	9988210	75
4329010	11, 81	5900313	69	9988211	77
4329011	82	6104216	45	9989046	75, 77
4329012	81	6104411	45	9989100	71, 73
4329013	81	6111041	59	9989120	77
4329014	9	6112042	45	9989560	53
4329015	81	6138181	45	9989576	53
4329017	9	6231034	7	9989674	71, 73
4329018	81	6231037	69	9989677	71, 73
4329019	11, 81	6232028	5	9989781	53
4329021	9	6232036	5	9989883	29
4329022	41	6233021	29		
4329024	81	6233028	29		
4329025	81	6234295	43		
4329032	81	6262021	29		
4329033	25, 81	6332009	11		
4329035	81	6335002	59		
4363031	15, 17	6401052	51		
4364034	47, 49	6404034	13, 63		
4364043	47	6732034	11		
4551153	35	7214014	47, 51		
4551154	35	7214082	53		
4552032	31	7219018	81		
				B	
				B432000	82
				B432001	82
				G	
				G1472027	9, 11
				W	
				WD432002	82
				WD432003	82

<u>Part Number</u>	<u>Page</u>	<u>Part Number</u>	<u>Page</u>	<u>Part Number</u>	<u>Page</u>
--------------------	-------------	--------------------	-------------	--------------------	-------------
